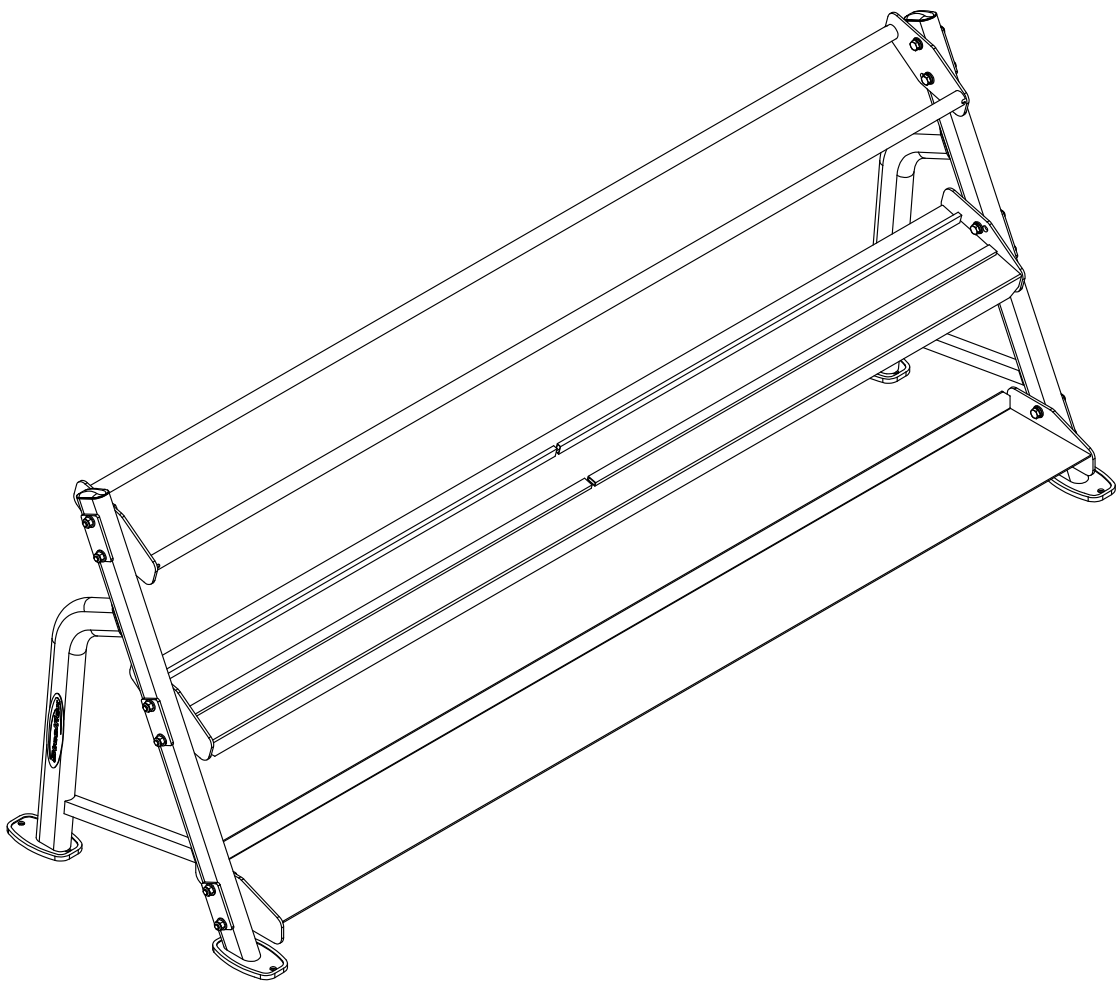




*NKTR3A*



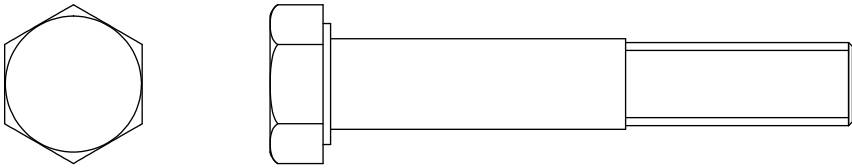
Assembly & Instructions

**OWNER'S & MANUAL**

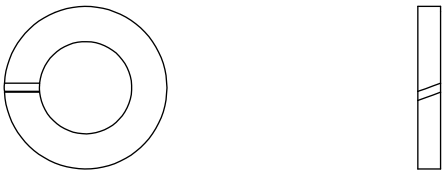
**NKTR3A HARDWARE**

(shown in actual size)

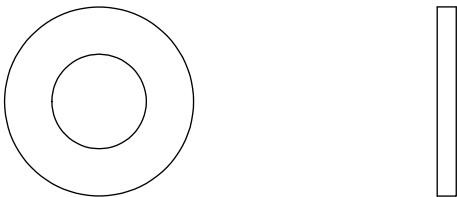
A1.M12X75L Hex Head Screw Qty.12



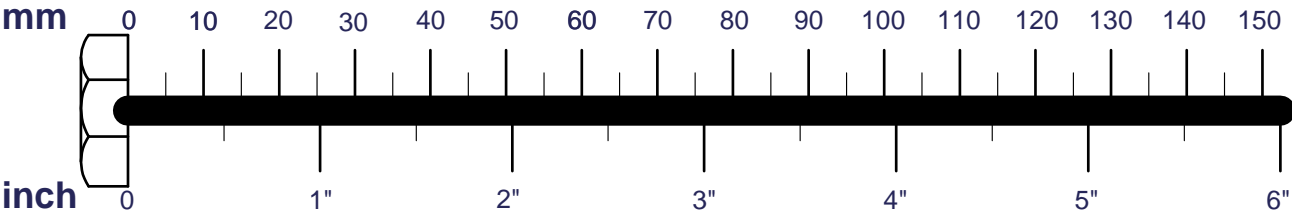
C1.M12 Spring Washer Qty.12



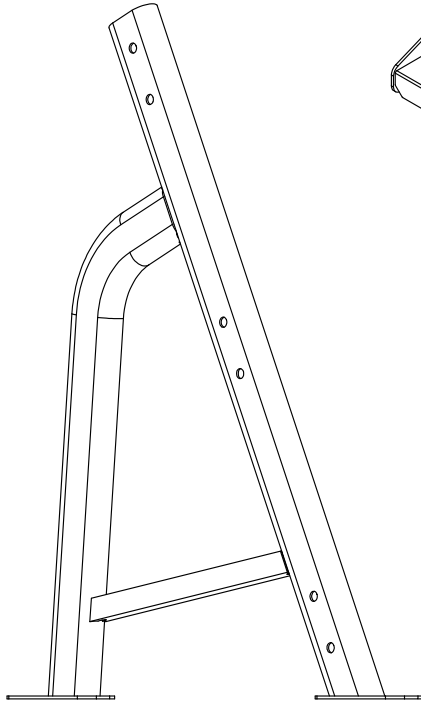
C2.M12 Washer (Ø24) Qty.24



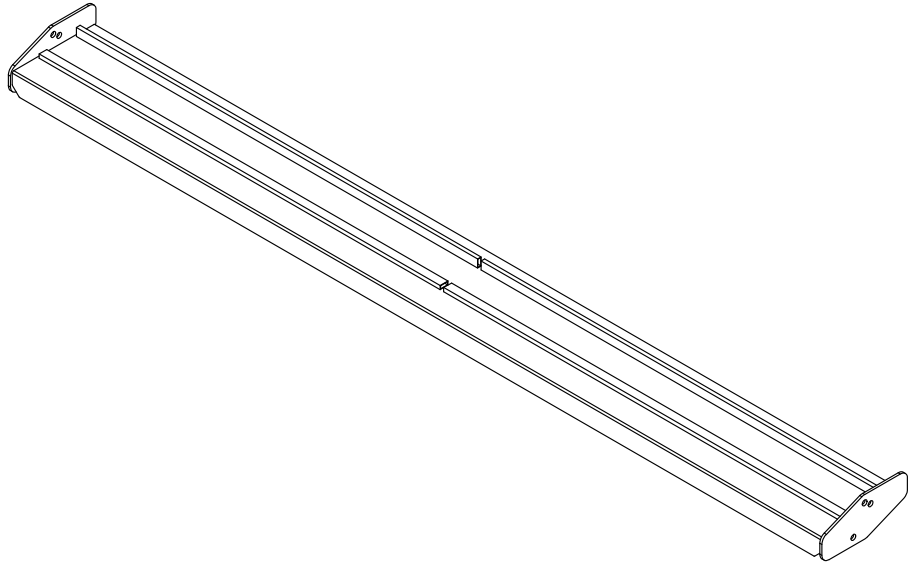
B1. M12 Nut Qty.12



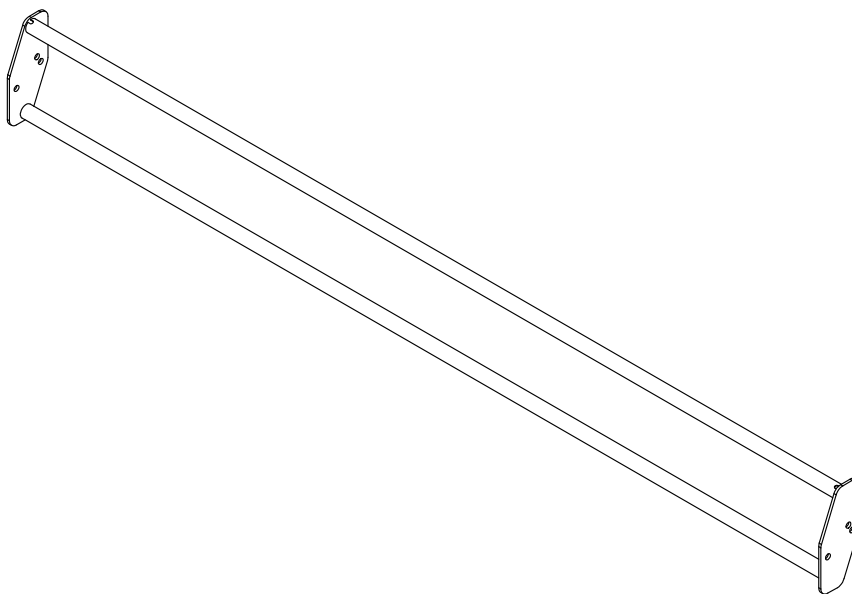
A[2PCS]



B[2PCS]



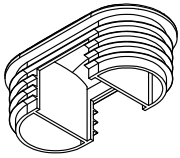
C[1PCS]



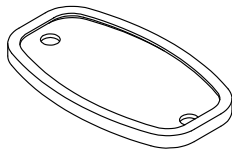
# NKTR3A H A R D W A R E

- D1.The Elliptical Pipe Plug(9211-192).....2PCS
- D2.Rubber Blanket(9310-076).....4PCS
- D3.The connector(8312-177)(Pre-installed).....6PCS

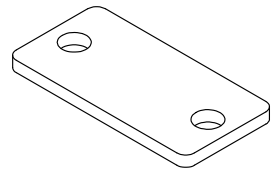
D1

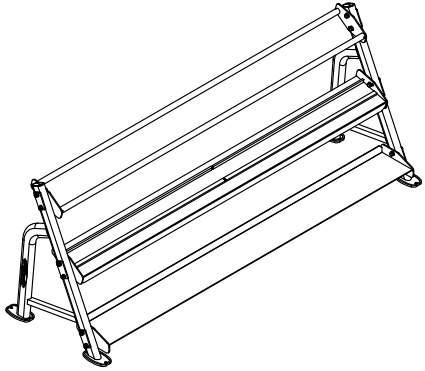


D2



D3





Above shows STEP 1 assembled and completed

