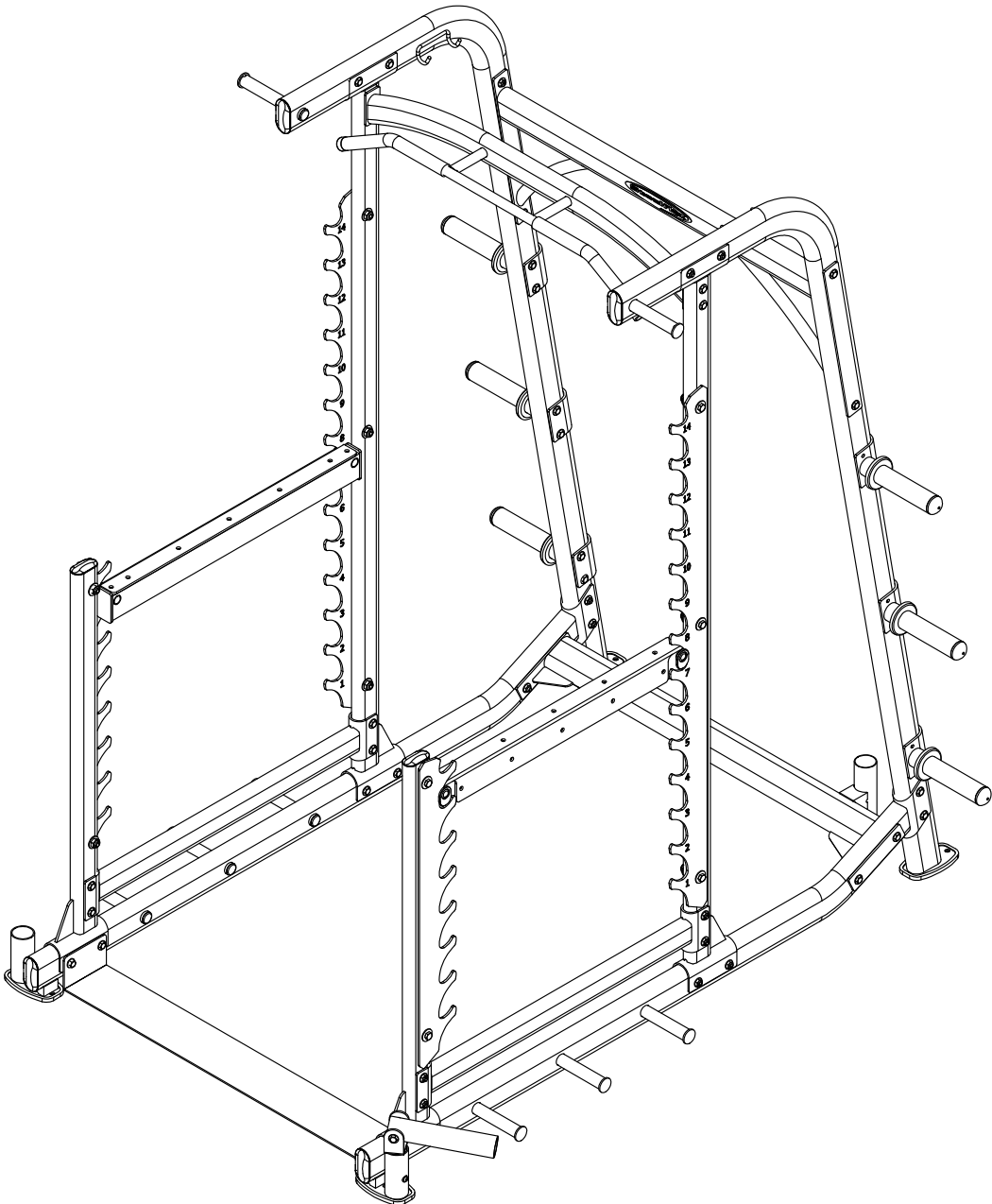




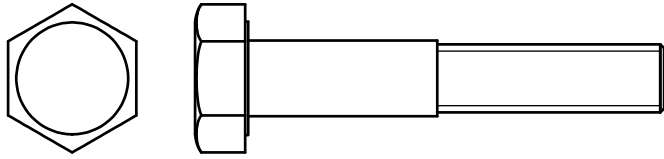
*NOPR.5*



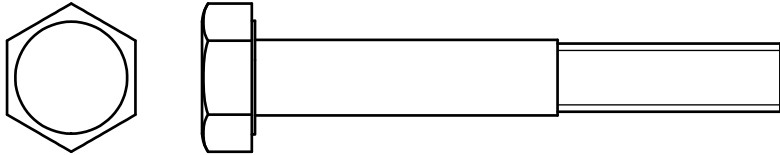
Assembly & Instructions  
**OWNER'S & MANUAL**

**NOPR.5 HARDWARE**  
(shown in actual size)

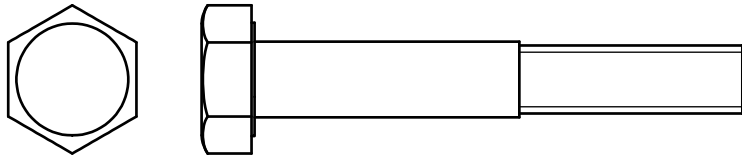
A1.M10X55 Hex Head Bolt QTY.4



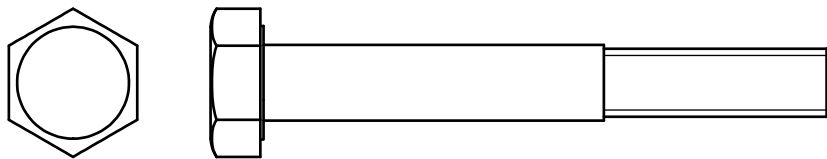
A2.M10X70 Hex Head Bolt QTY.8



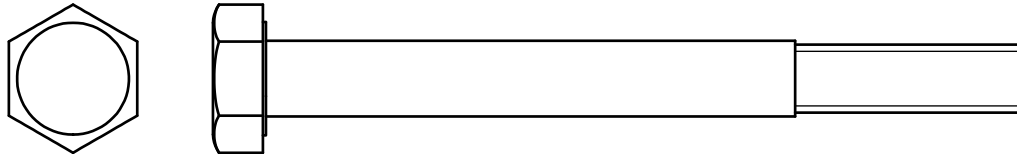
A3.M10X65 Hex Head Bolt QTY.20



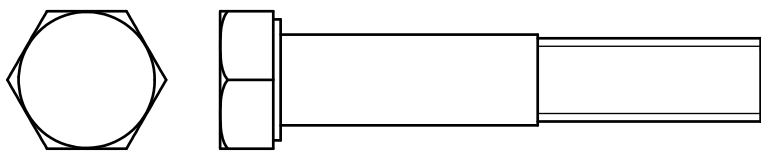
A4.M10X75 Hex Head Bolt QTY.16



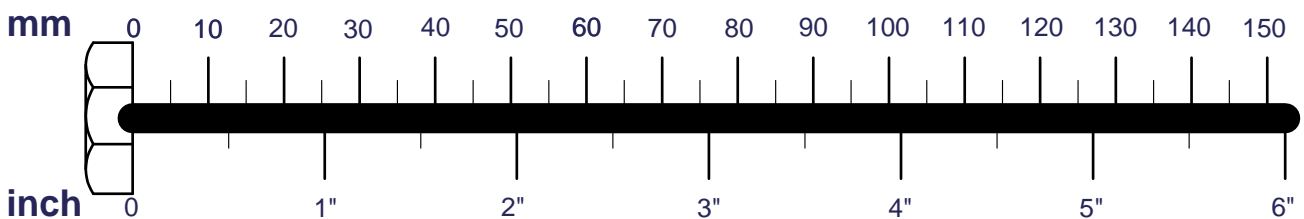
A5.M10X100 Hex Head Bolt QTY.1



A6.M12X65 Hex Head Bolt QTY.10



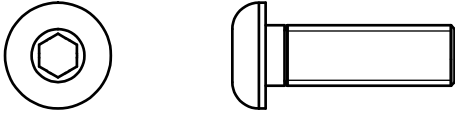
A7.M5X10 Taper Screw pre-installed QTY.24



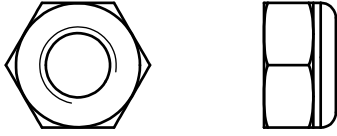
# NOPR.5 HARDWARE

(shown in actual size)

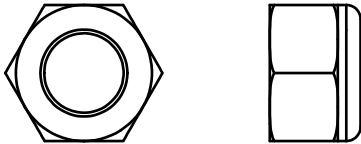
A8.M8X25 Allen Screw (Full Thread) pre-installed Qty.2



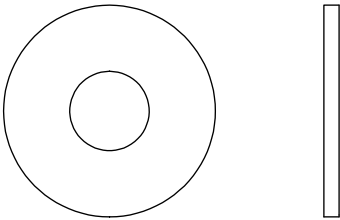
B1.M10 Nylon Lock Nut Qty.31



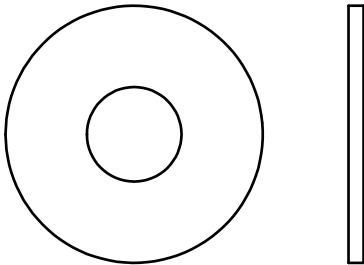
B2.M12 Nylon Lock Nut Qty.10



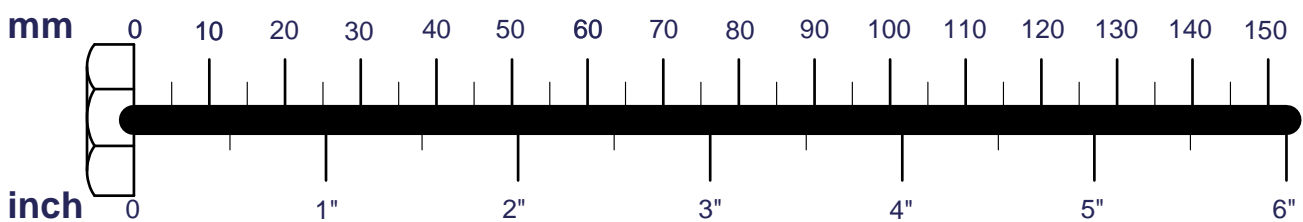
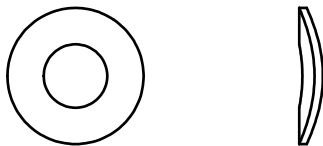
C1.M10 WaSher (Ø28) Qty.80



C2. M12 Washer Qty.20

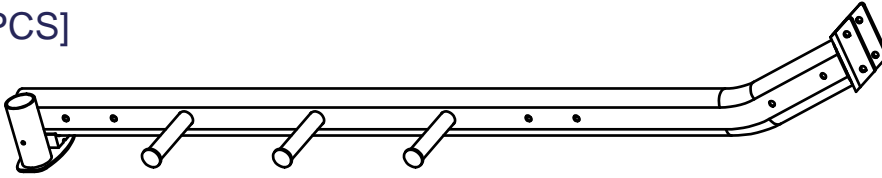


C3. M8 Washer WASHER Qty.2  
pre-installed

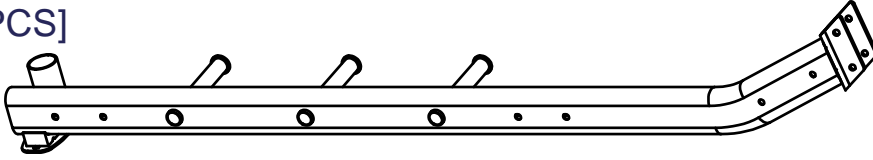


**NOPR.5 HARDWARE**  
(shown in actual size)

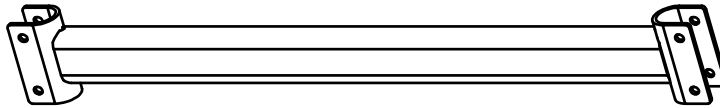
A[1PCS]



B[1PCS]



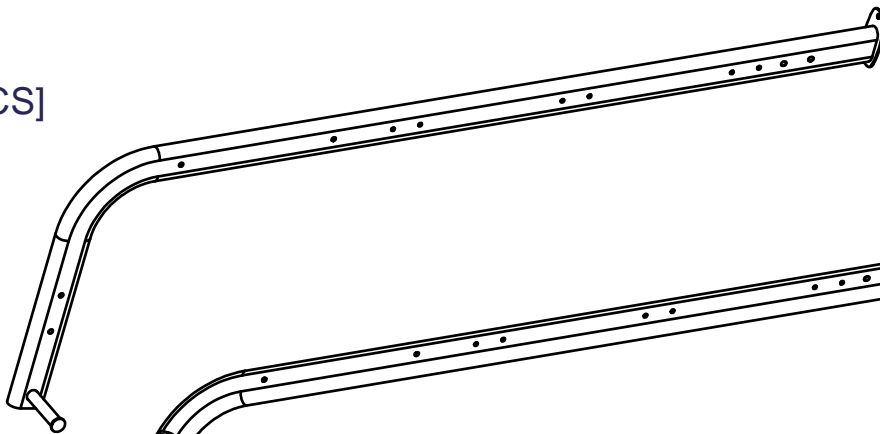
C[2PCS]



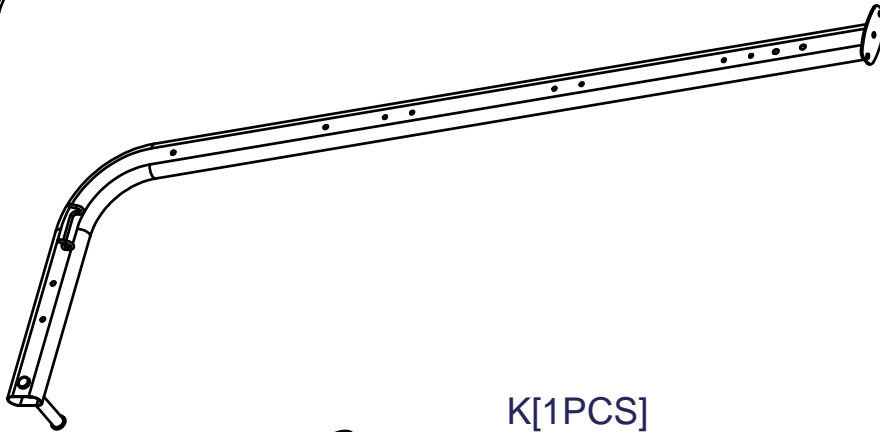
D[2PCS]



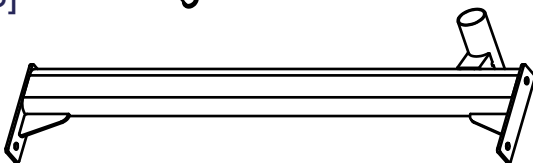
E[1PCS]



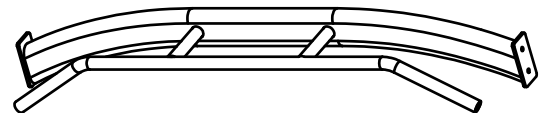
F[1PCS]



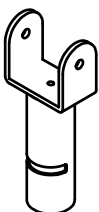
I[1PCS]



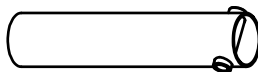
K[1PCS]



R[1PCS]

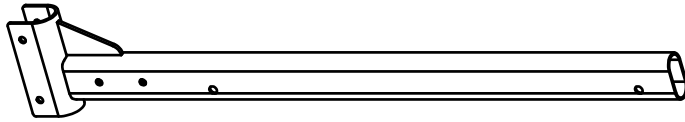


S[1PCS]

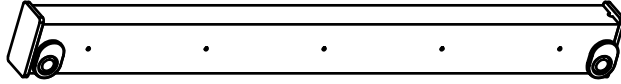


**NOPR.5 HARDWARE**  
(shown in actual size)

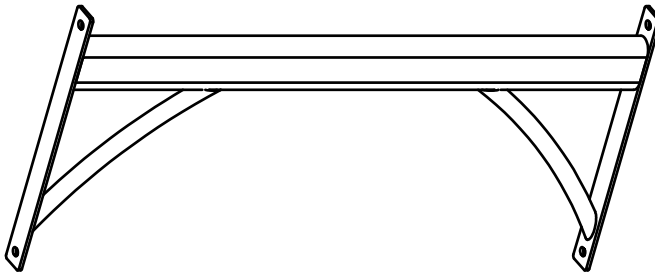
G[2PCS]



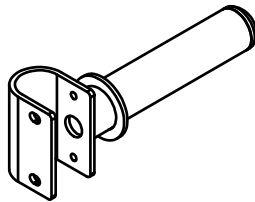
T[2PCS]



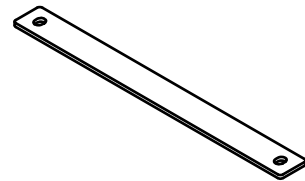
U[1PCS]



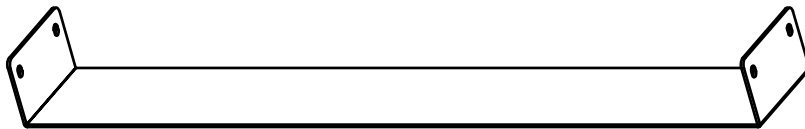
X [6PCS]  
6730005



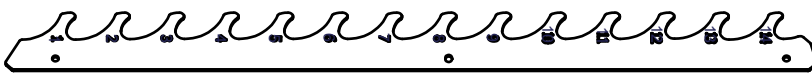
Q[2PCS]  
8312-085



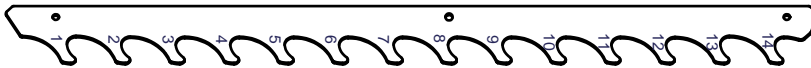
H[1PCS]  
8370-055



ML[1PCS]  
8343-056



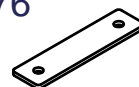
MR[1PCS]  
8343-056



NL[1PCS]  
8343-253



P[2PCS]  
8312-076



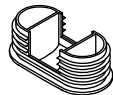
NR[1PCS]  
8343-253



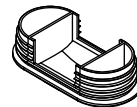
**NOPR.5 H A R D W A R E**  
( shown in actual size )

D2.40X80 End Cap (9211-192).....	[2PCS]
D3.50X100 End Cap (9211-193).....	[4PCS]
D4.Ø1" Round End Cap (9211-016).....	[2PCS]
D5.Ø31.8 Round End Cap (9211-169).....	[8PCS]
D6.Ø90X10t Rubber Dount (9310-016).....	[6PCS]
D7.48x870 Rubber pad (9310-101) pre-installed.....	[2PCS]
D8.Rubber Pad (9310-076).....	[4PCS]
D9.Impregnated With Handle (9162-148) pre-installed.	[2PCS]
D10.Chrome Collar (8890-061) pre-installed.....	[2PCS]
D11.Impregnated With Handle (9162-184) pre-installed.	[1PCS]

D2.



D3.



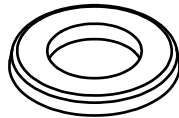
D4.



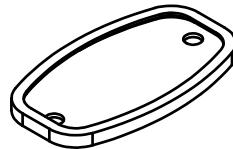
D5.



D6.



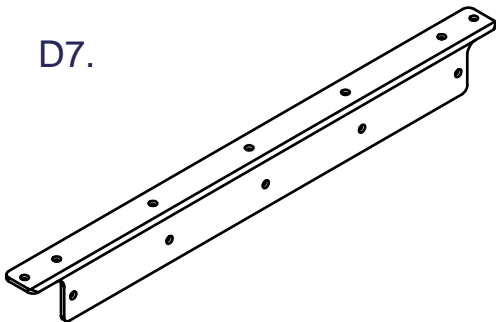
D8.



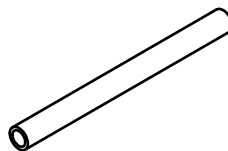
D10.



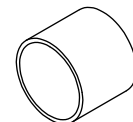
D7.

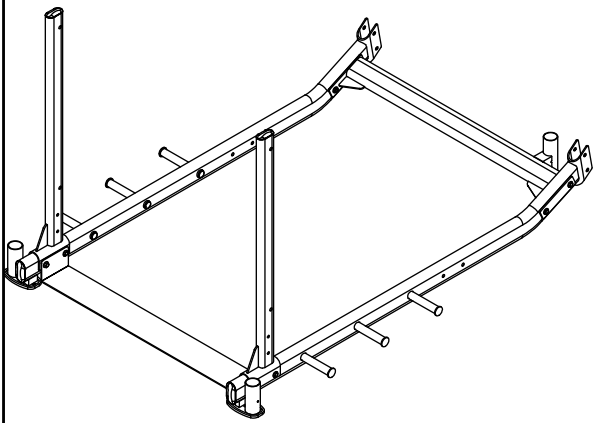


D9.

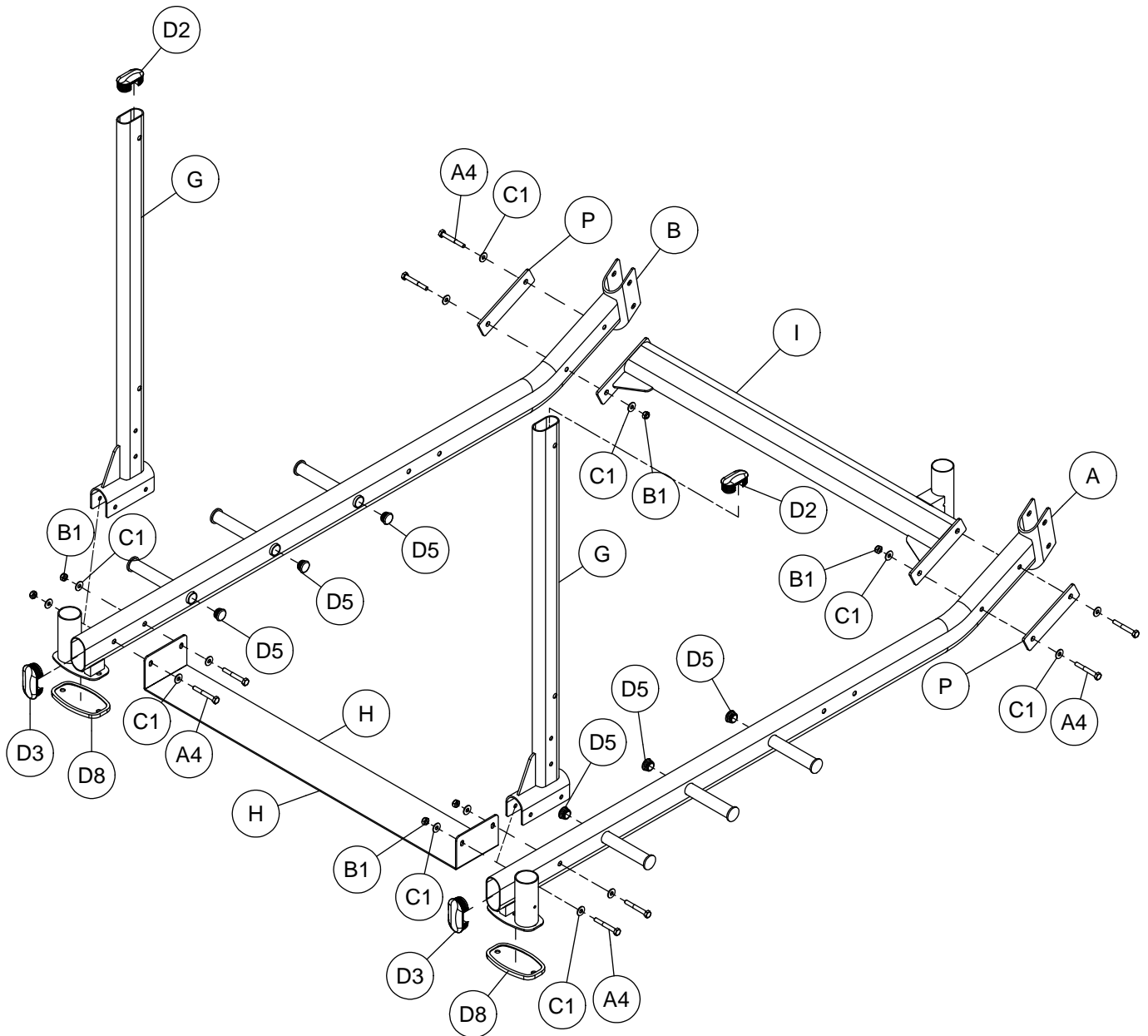


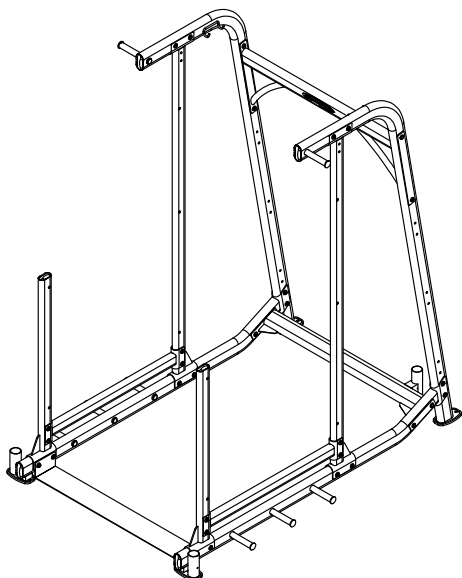
D11.



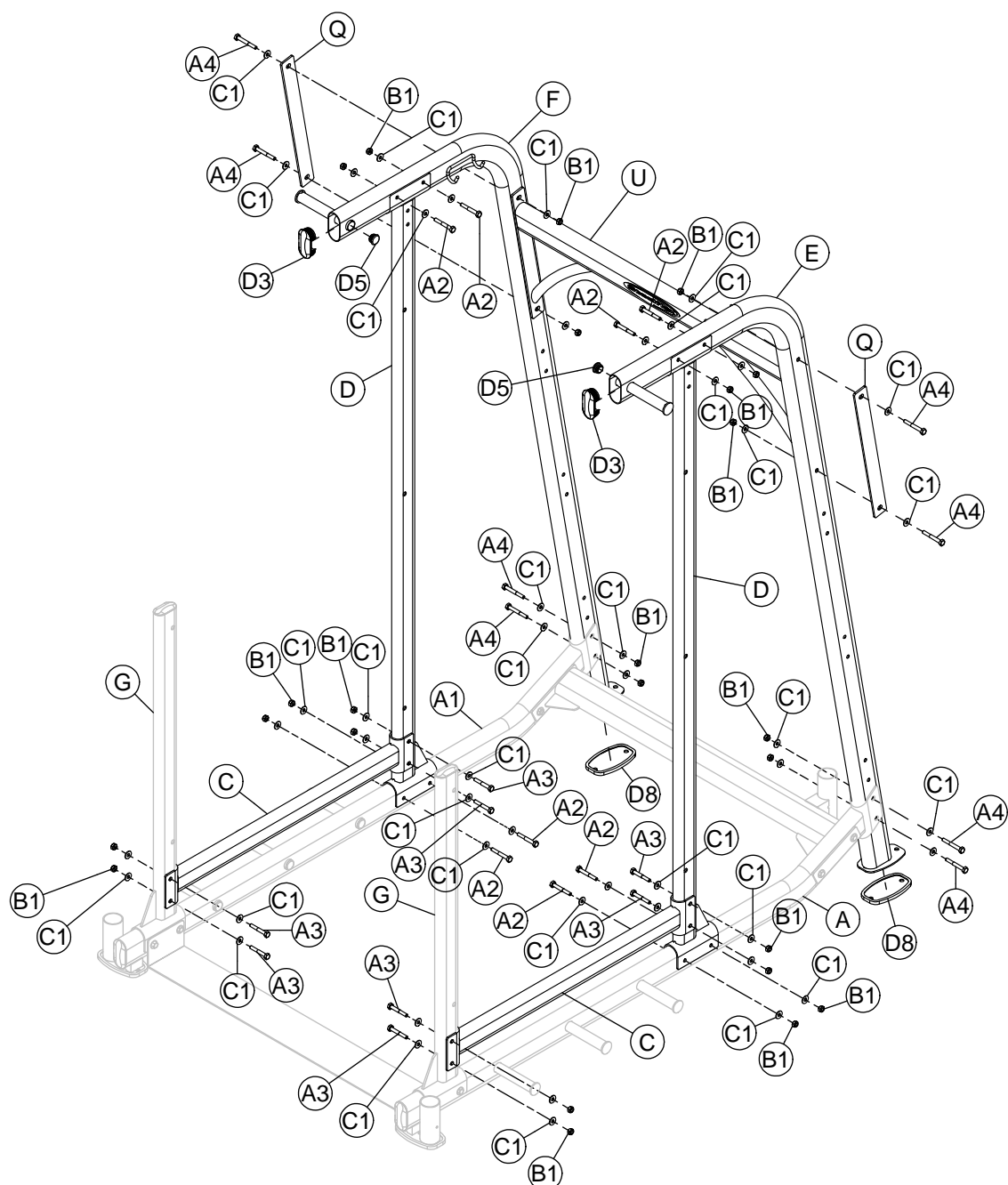


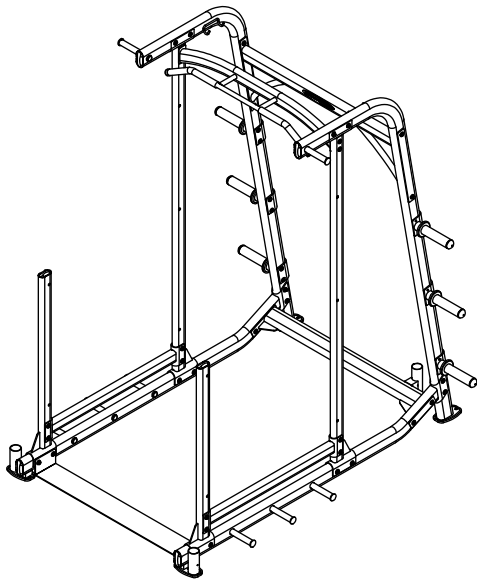
Above shows STEP 1 assembled and completed



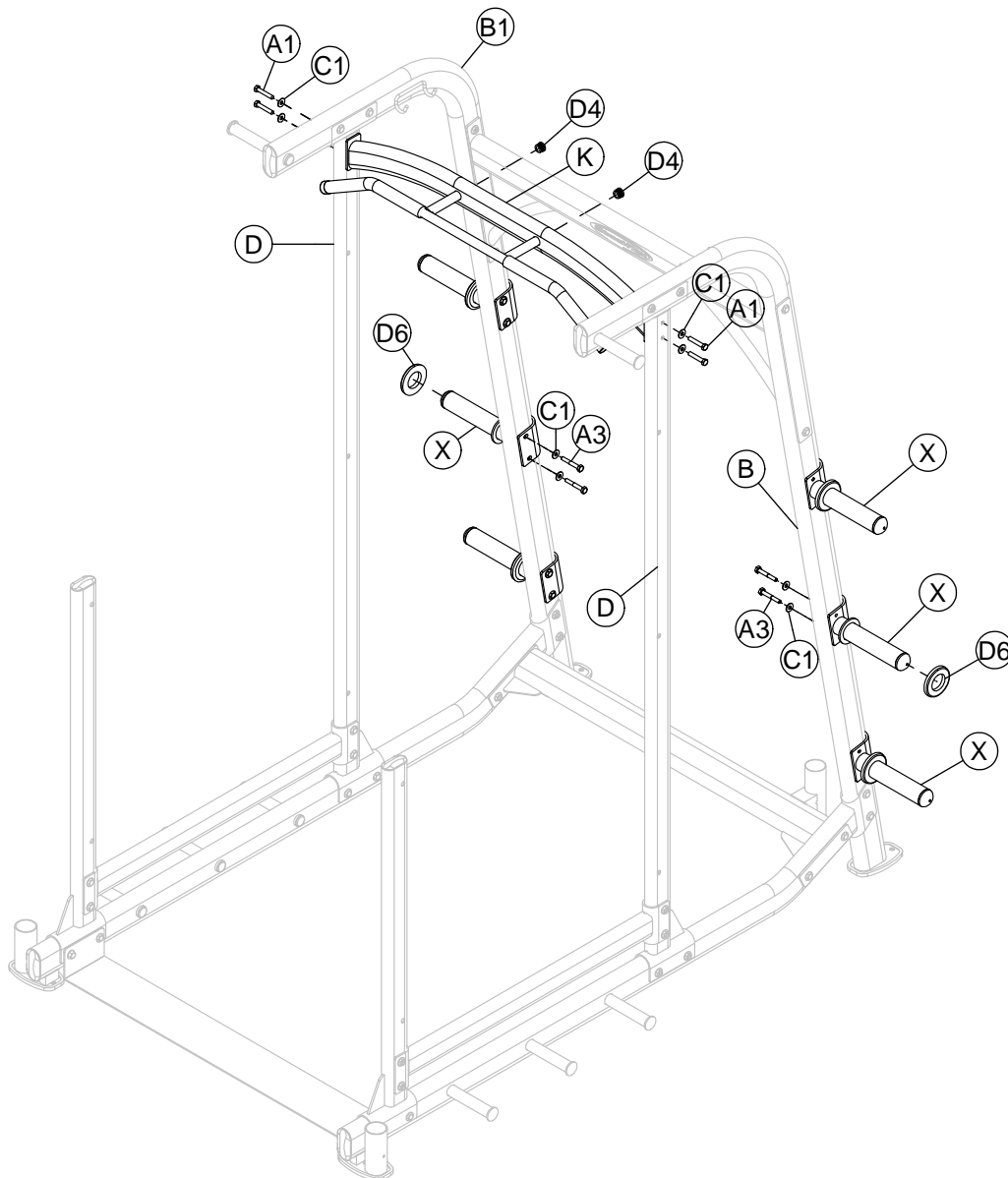


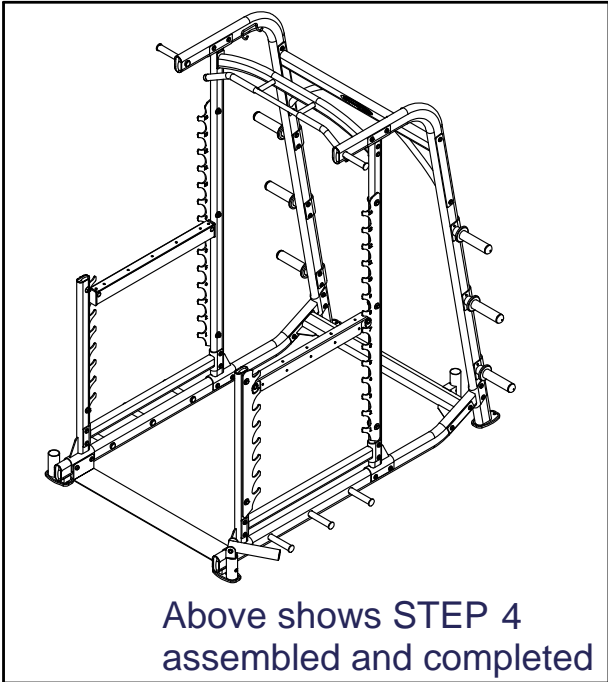
Above shows STEP 2  
assembled and completed





Above shows STEP 3 assembled and completed





Above shows STEP 4 assembled and completed

