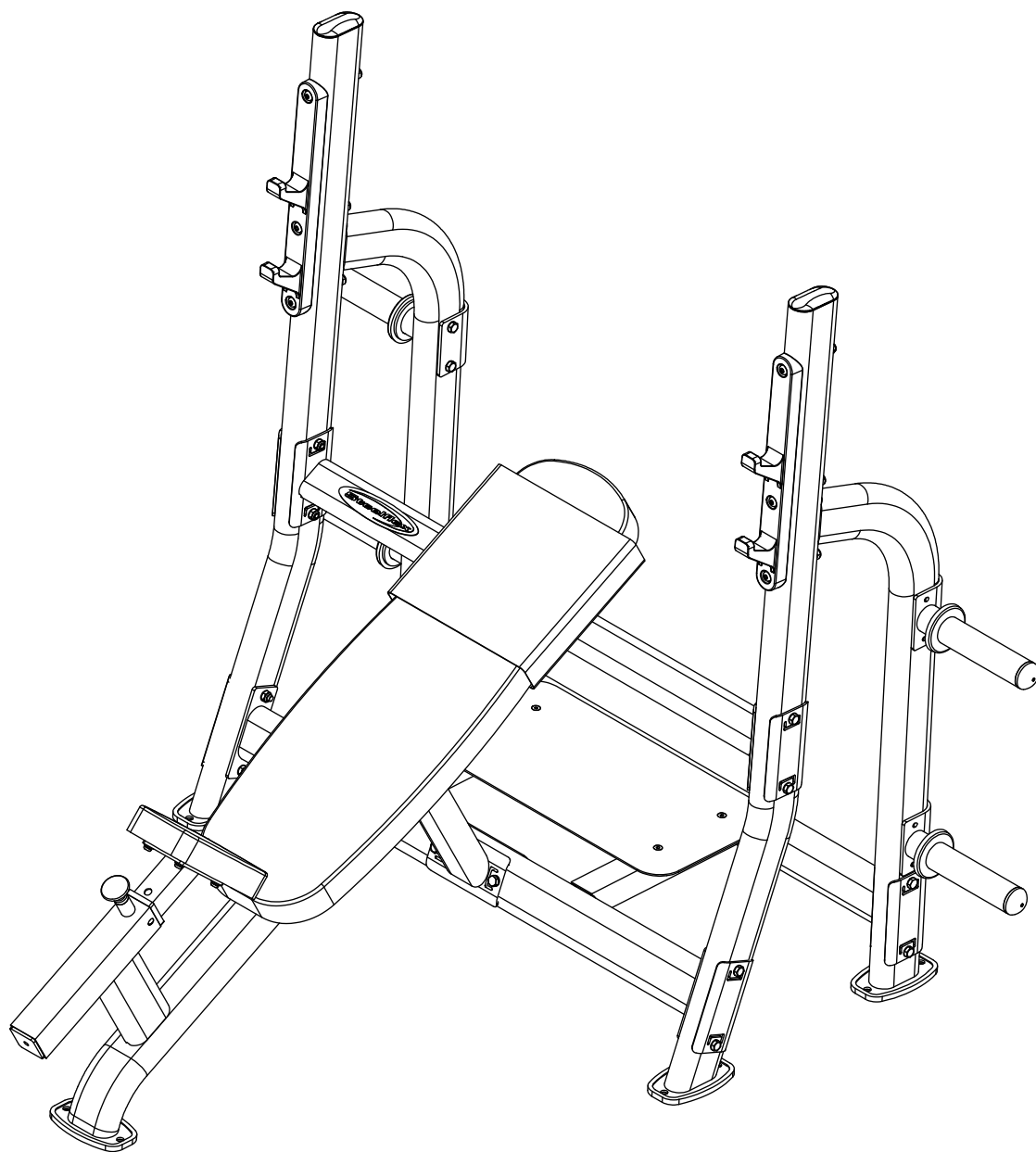
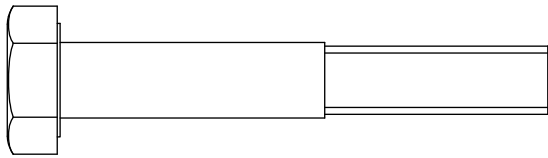


***NOIB.5***

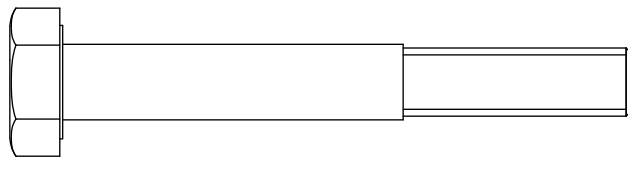


Assembly & Instructions  
**OWNER'S & MANUAL**

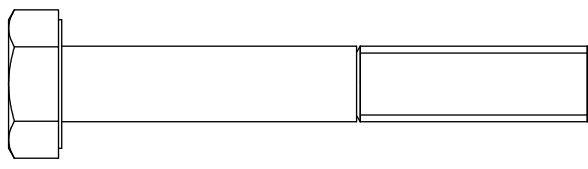
**NOIB.5 HARDWARE**  
(shown in actual size)



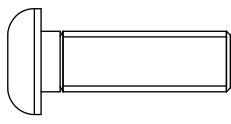
A1. M10X65 HEX HEAD SCREW...[9PCS]



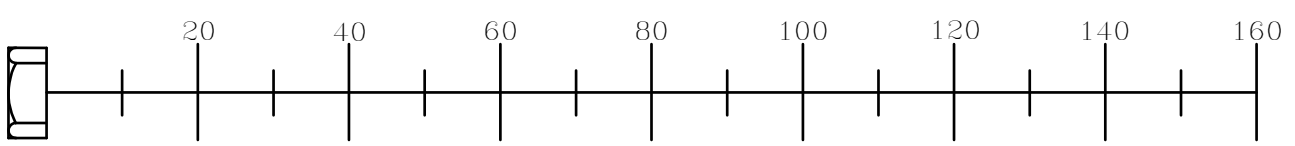
A2. M10X75L HEX HEAD SCREW...[8PCS]



A3. M10X70 HEX HEAD SCREW...[6PCS]

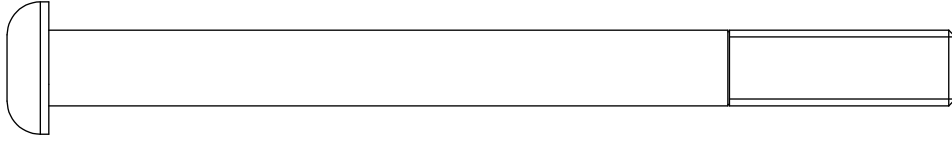


A4. M8X25 Round Head Screw...[8PCS]

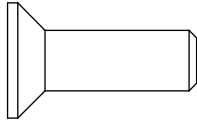


**NOIB.5 HARDWARE**

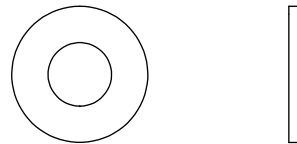
shown in actual size



A6.M10X120L Round Head Screw ...[6PCS]



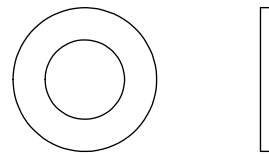
A7.M8X25 TAPER SCREW(Pre-installed)...[4PCS]



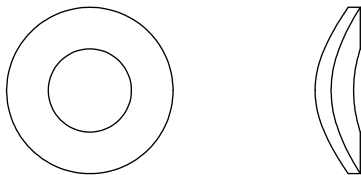
C2.M8 WASHER(Ø18)...[8PCS]



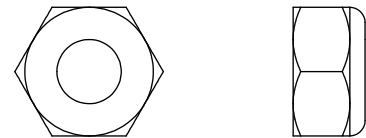
C3.M8 SPRING WASHER...[8PCS]



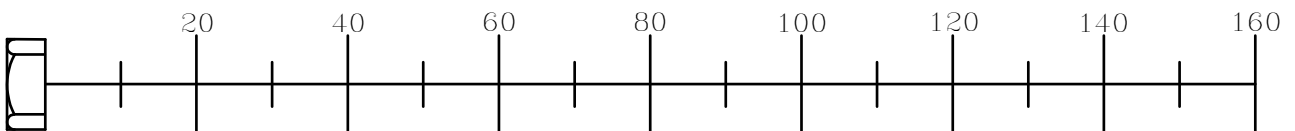
C4.M10 WASHER(Ø19)...[43PCS]



C5.M10 Arc WASHER...[6PCS]

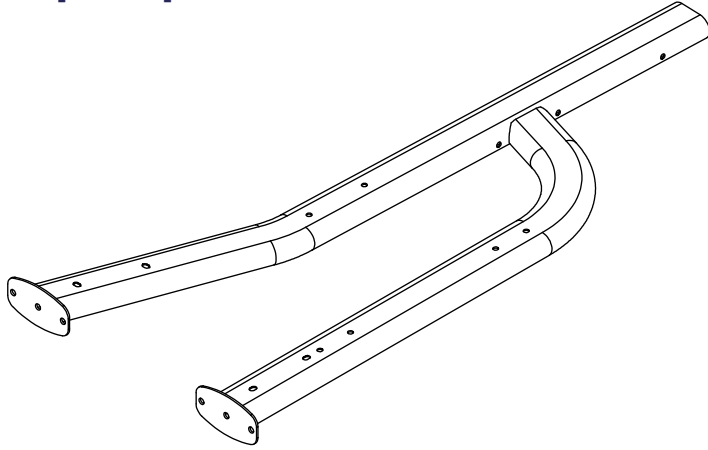


B1.M10 NYLON LOCK NUT...[20PCS]

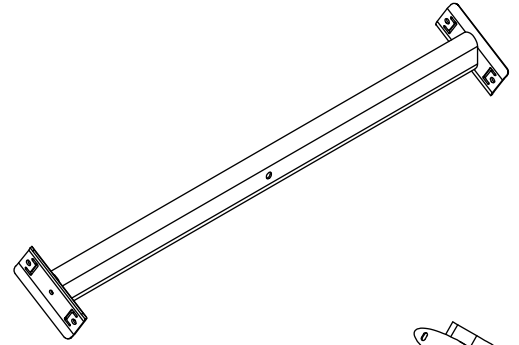


NOIB.5 PARTS

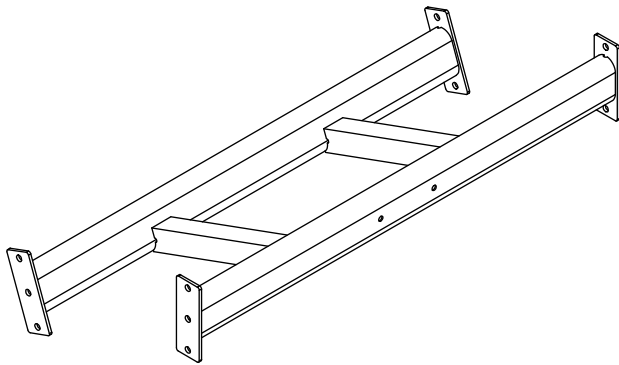
A[2PCS]



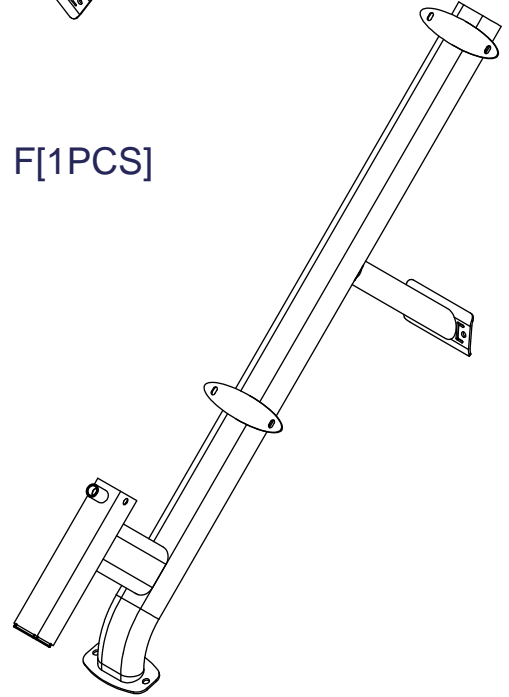
B[1PCS]



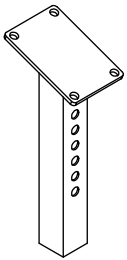
C[1PCS]



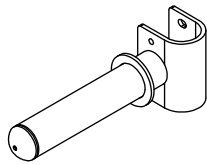
F[1PCS]



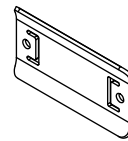
H[1PCS]



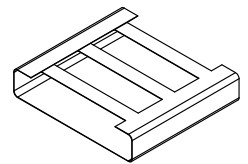
D[4PCS]



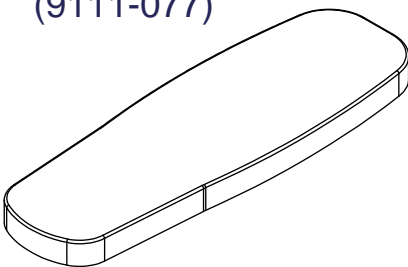
L[7PCS]  
(8323-234)



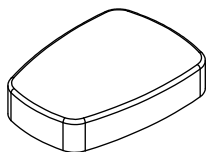
N[1PCS]  
(9119-009)



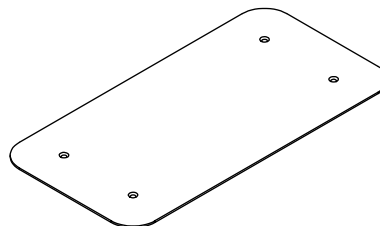
J[1PCS]  
(9111-077)



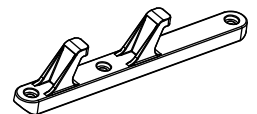
K[1PCS]  
(9121-087)



G[1PCS]  
(8370-043)



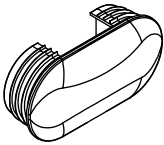
M[2PCS]  
(9260-251)



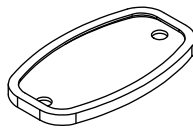
## NOIB.5 PARTS

D2.50X100 END CAP (9211-193).....	[3PCS]
D3.RUBBER LNSERT (9310-076).....	[5PCS]
D6.RUBBER DOUNT (9310-016).....	[4PCS]
D7.60X60 NYLON BUSHING (9211-047).....	[1PCS]
D9.POP PIN (8250-065G) pre-installed.....	[1PCS]

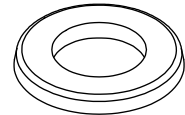
D2



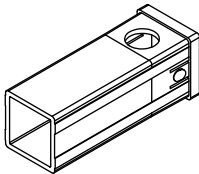
D3



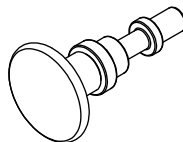
D6

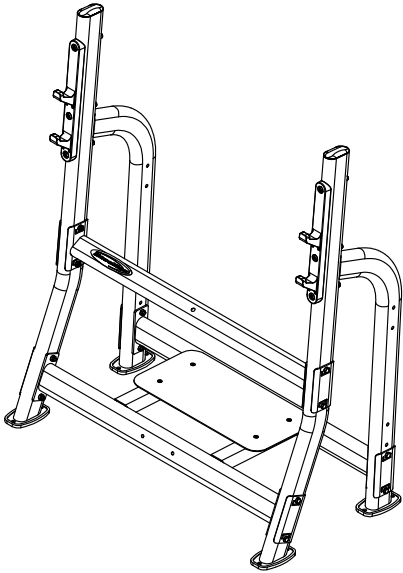


D7



D9





Above shows STEP 1 assembled and completed

