

* PLIP Maintenance



* Customers can put some grease on pivot points (red circle place), with brass or gunmetal bushings.



WD-40多种规格



* Let's maintain your machine!

PSIP.1 HARDWARE
(shown in actual size)

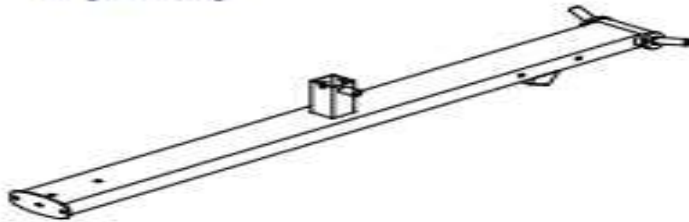
A[1PCS]



B[1PCS]



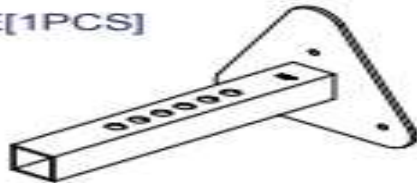
C[1PCS]



D[2PCS]



E[1PCS]



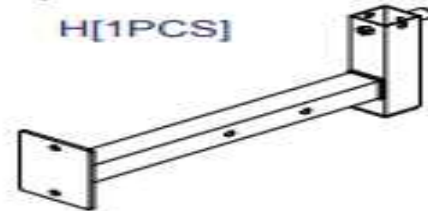
F[2PCS]



G[1PCS]



H[1PCS]



I[1PCS]

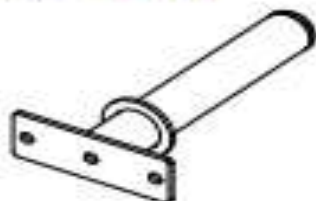


J[1PCS]



PSIP.1 HARDWARE
(shown in actual size)

K[4PCS]
(6730-011)



L(4PCS)
8313-235



M(2PCS)
8312-091



N(1PCS)
8313-250



O(1PCS)
9111-105

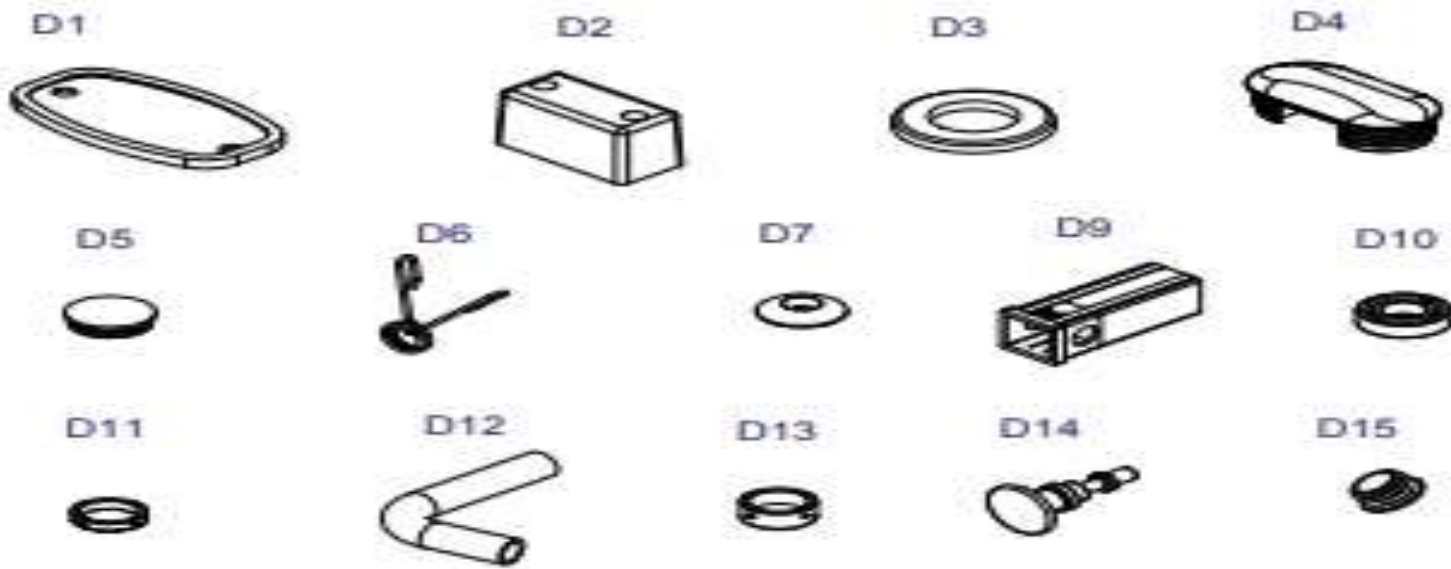


P(1PCS)
9121-116

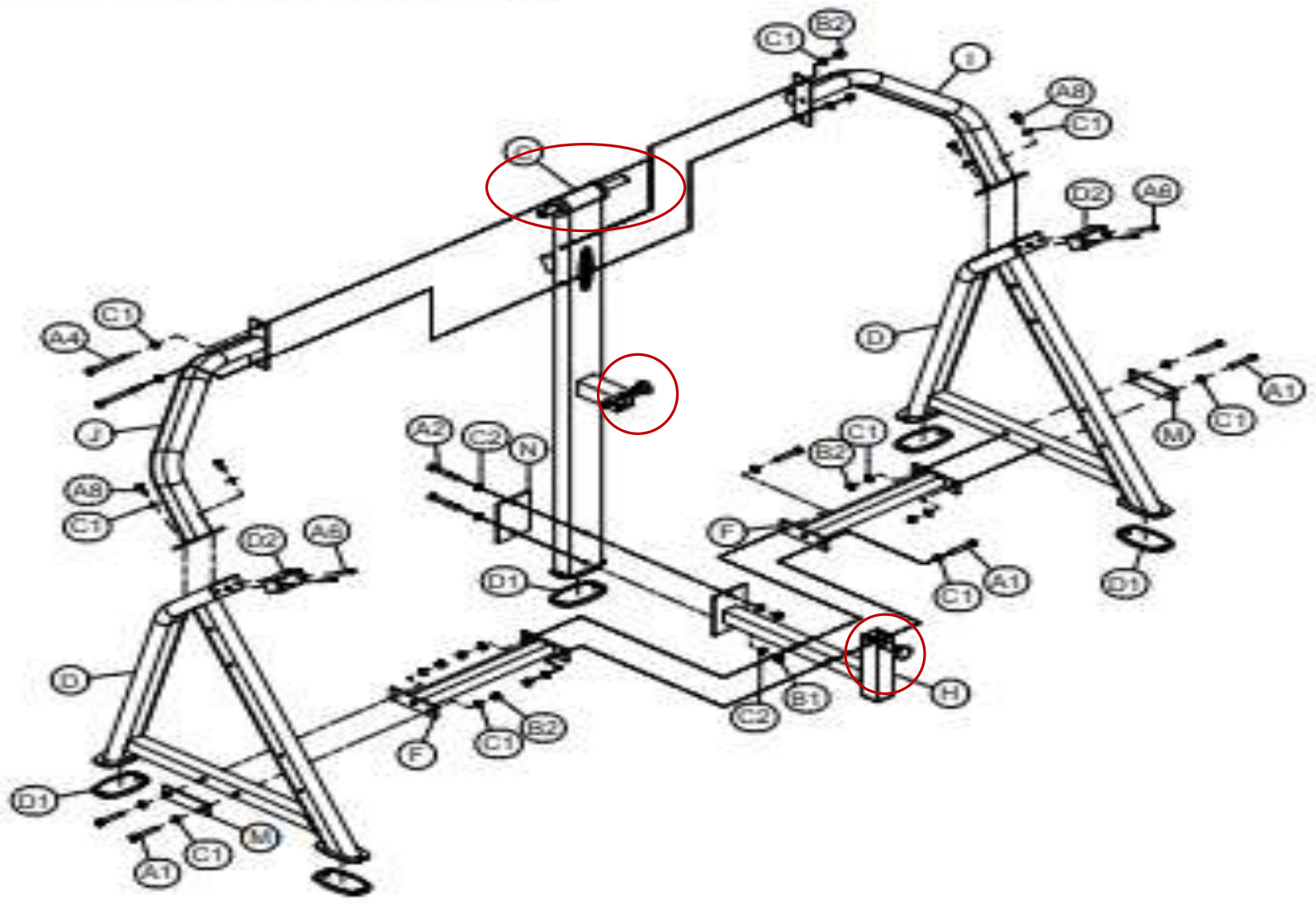


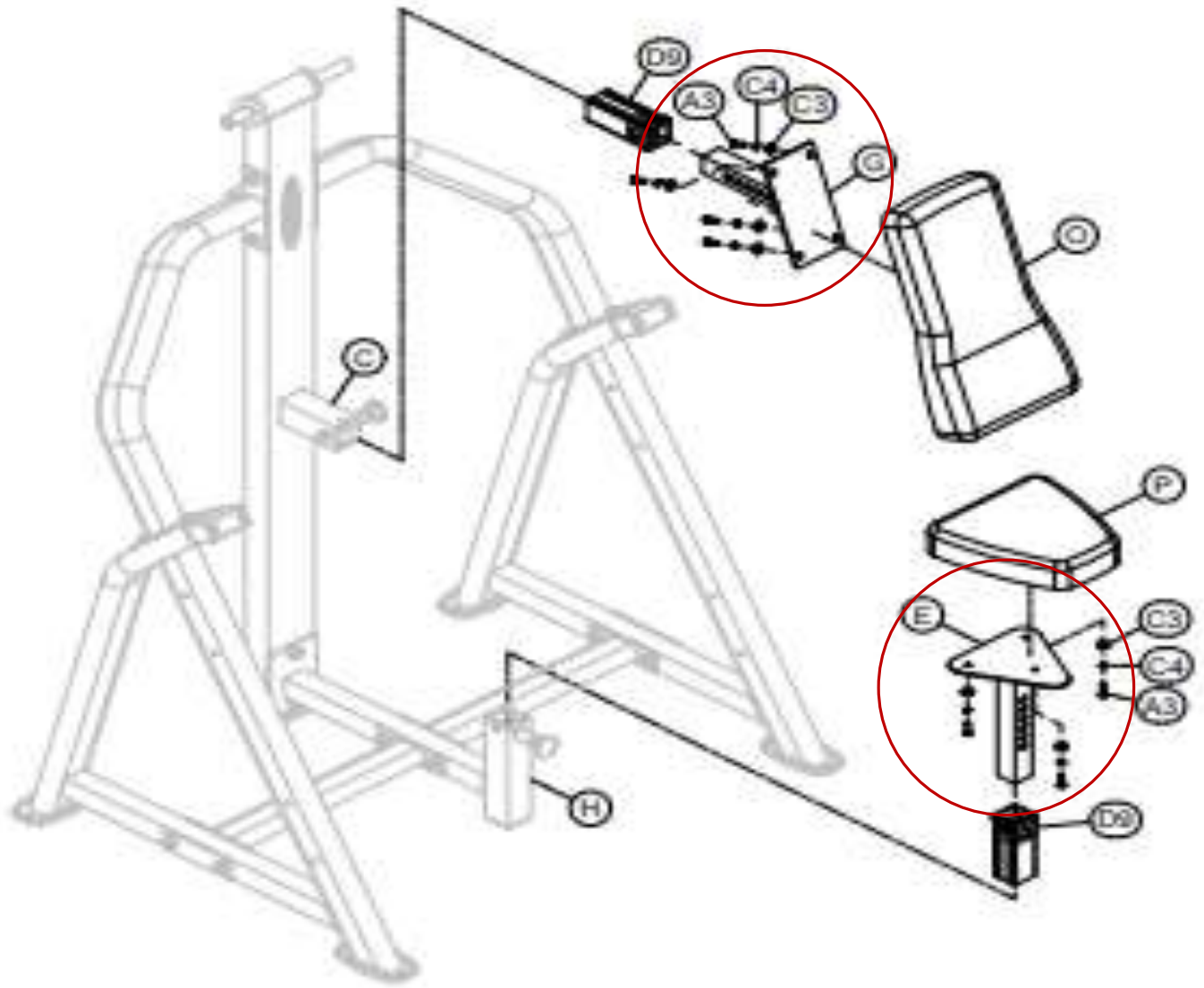
PSIP.1 HARDWARE
(shown in actual size)

D1.Rubber Insert (9310-076).....	[5PCS]
D2.Block Rubber (9310-077).....	[2PCS]
D3.Rubber Dount (9310-016).....	[6PCS]
D4.Elliptical Pipe Plug(9211-193).....	[2PCS]
D5.Round Plug(9211-020).....	[2PCS]
D6.Spring Clip(OC06).....	[2PCS]
D7.End Cap(8130-131).....	[2PCS]
D9.Double Set Of(9211-047).....	[2PCS]
D10.Bearing (8510-037) (pre-installed).....	[4PCS]
D11.Chrome collar (8130-287) (pre-installed).....	[2PCS]
D12.Impregnated With Handle (9162-208)(pre-installed).....	[2PCS]
D13.Chrome collar (8890-048) (pre-installed).....	[2PCS]
D14.Pop Pin (8250-065G) (pre-installed).....	[2PCS]
D15.End Cover (9211-169).....	[2PCS]

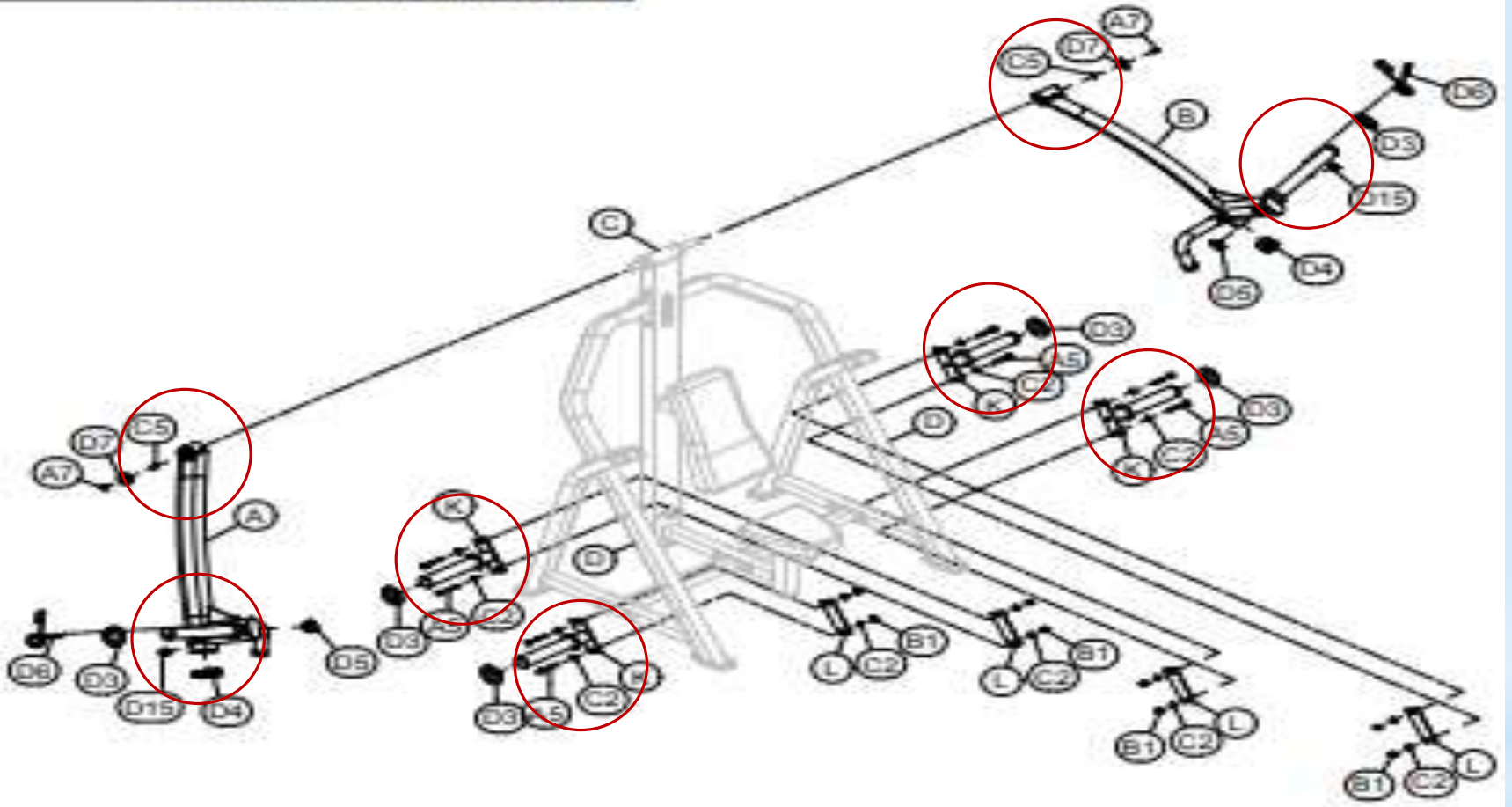


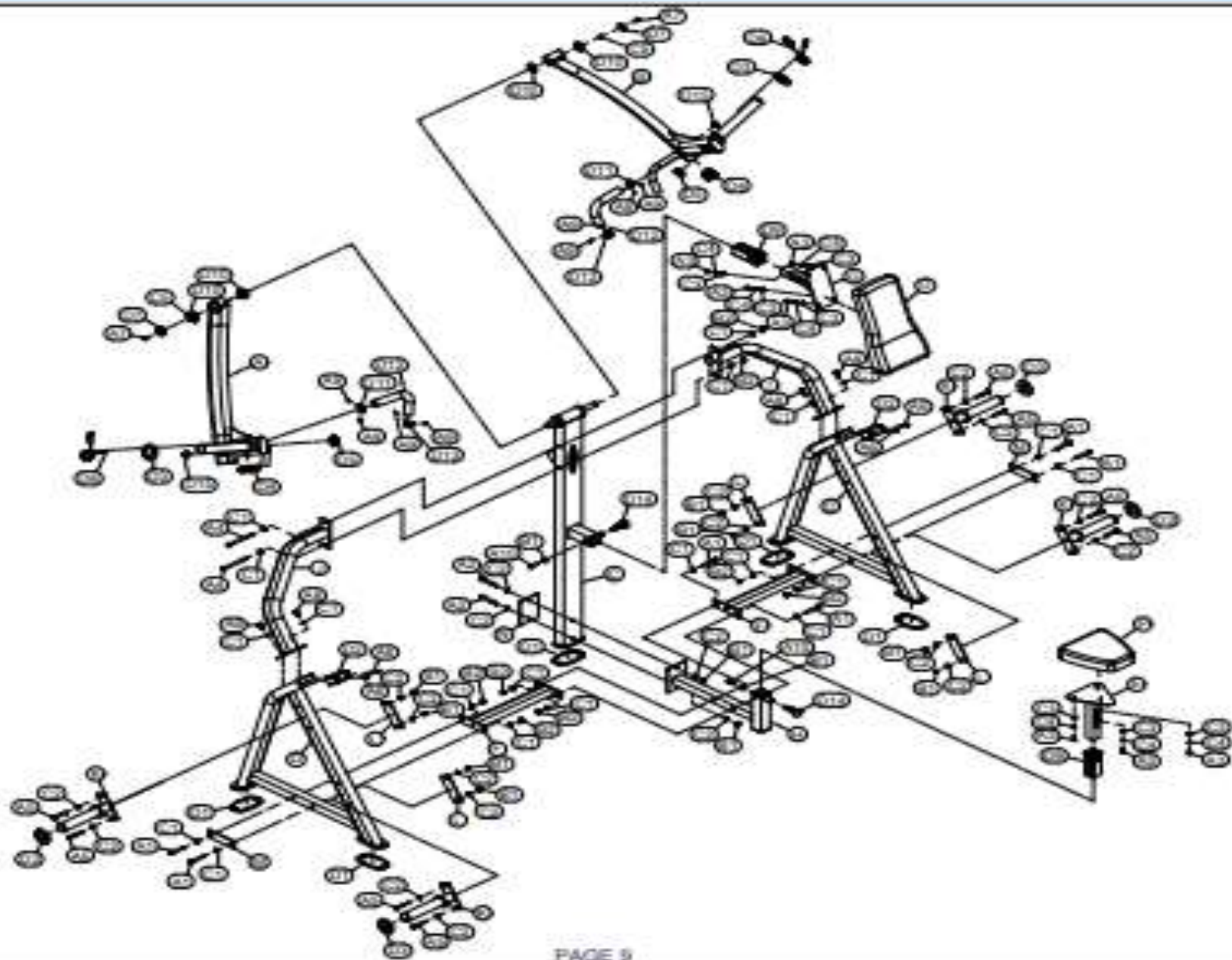
Above shows STEP 1
assembled and completed





Above shows STEP 3 assembled and completed





*Well done!

