

* PL2300 Maintenance



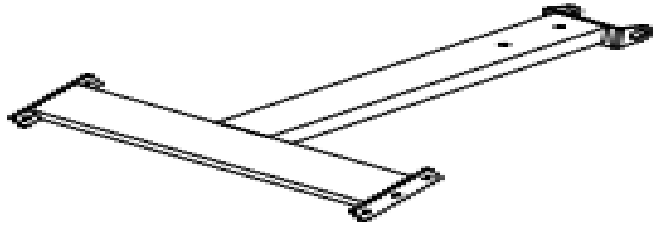
* Customers can put some grease on pivot points (red circle place), with brass or gunmetal bushings.



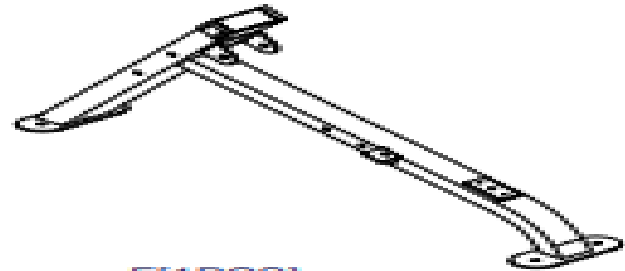
* Let's maintain your machine!

PL2300 HARDWARE
(shown in actual size)

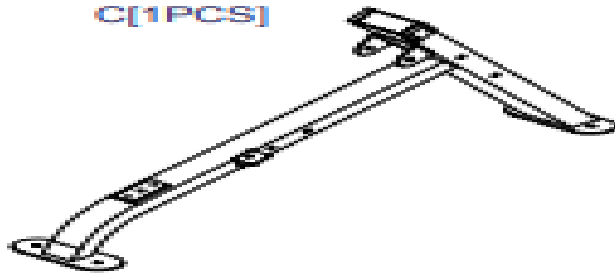
A[1PCS]



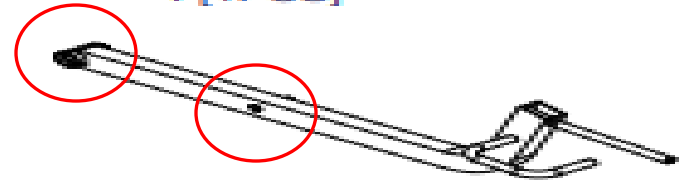
B[1PCS]



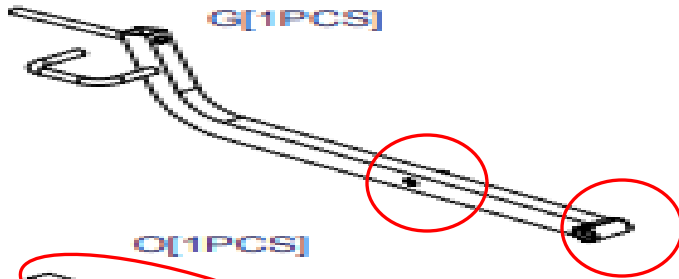
C[1PCS]



F[1PCS]



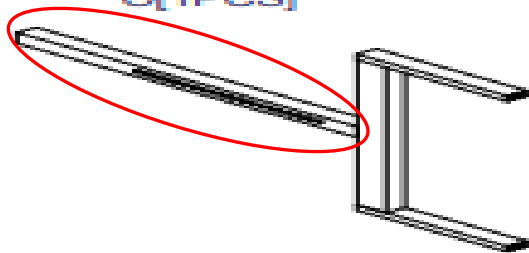
G[1PCS]



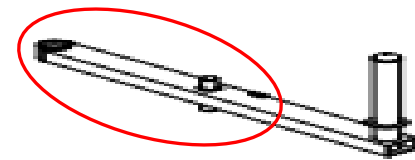
E[1PCS]



O[1PCS]



H[1PCS]



PC2300 HARDWARE
(shown in actual size)

V[1PCS]



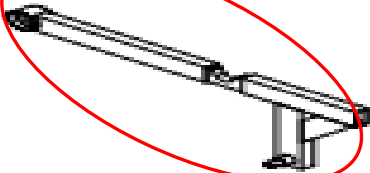
Y[1PCS]



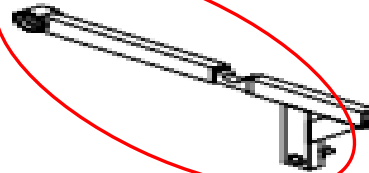
I[2PCS]



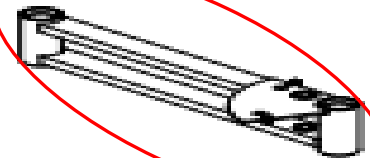
J[1PCS]



K[1PCS]



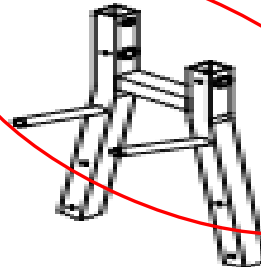
N[1PCS]



P[1PCS]



Q[1PCS]



T[2PCS]



X[2PCS]



R[4PCS]
(8313-243)



Z[2PCS]
(9131-066)



D[1PCS]
8341-156
(pre-installed)

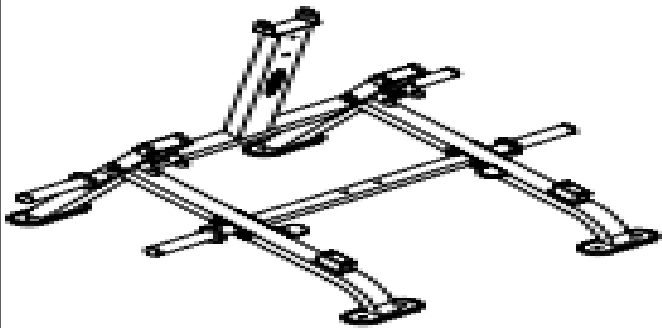


M[1PCS]
8313-250

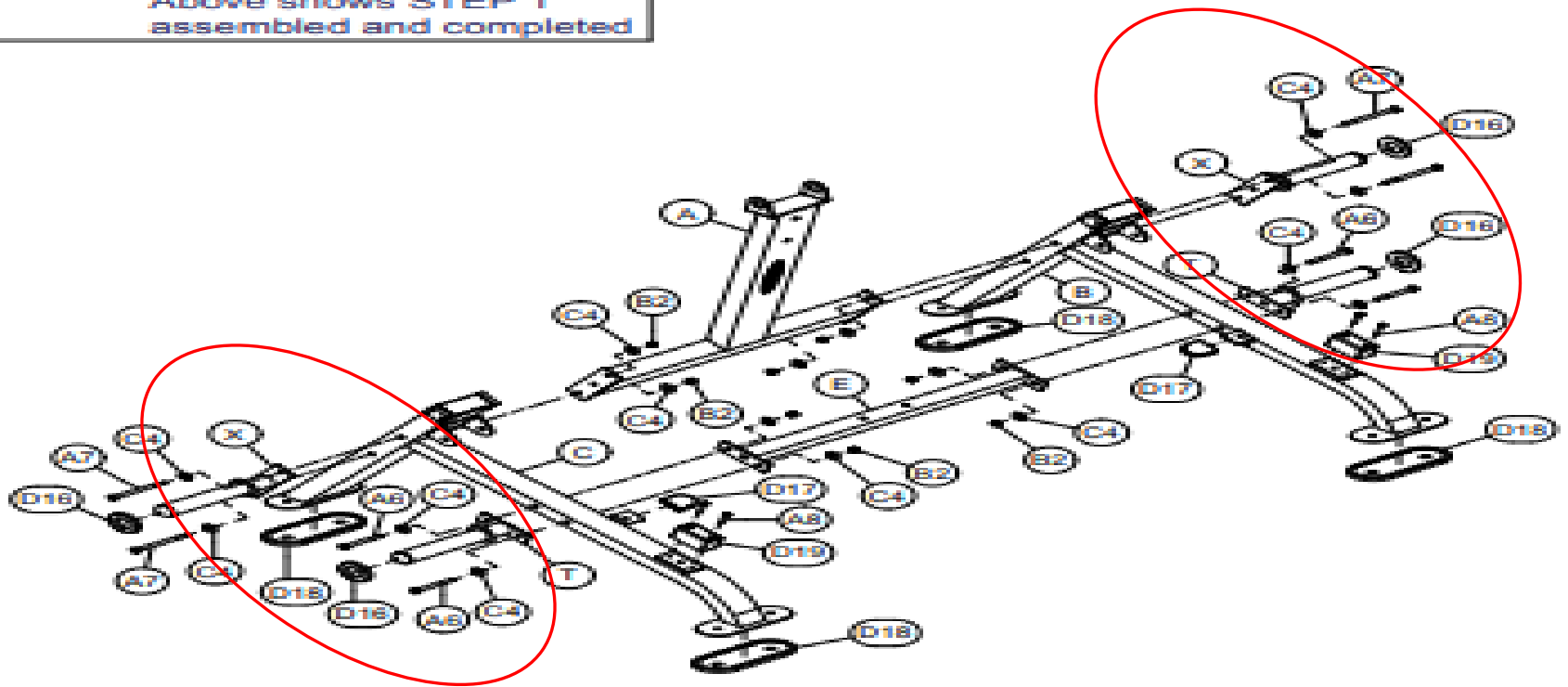


W[1PCS]
8312-091

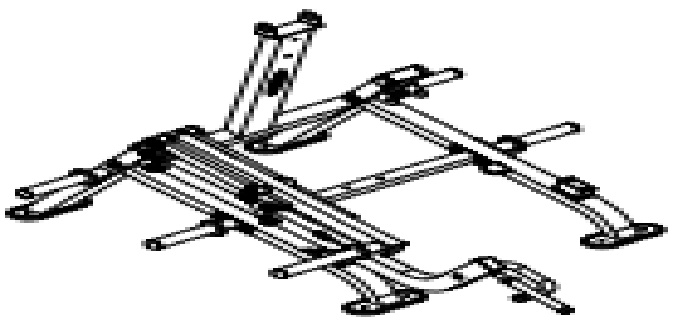




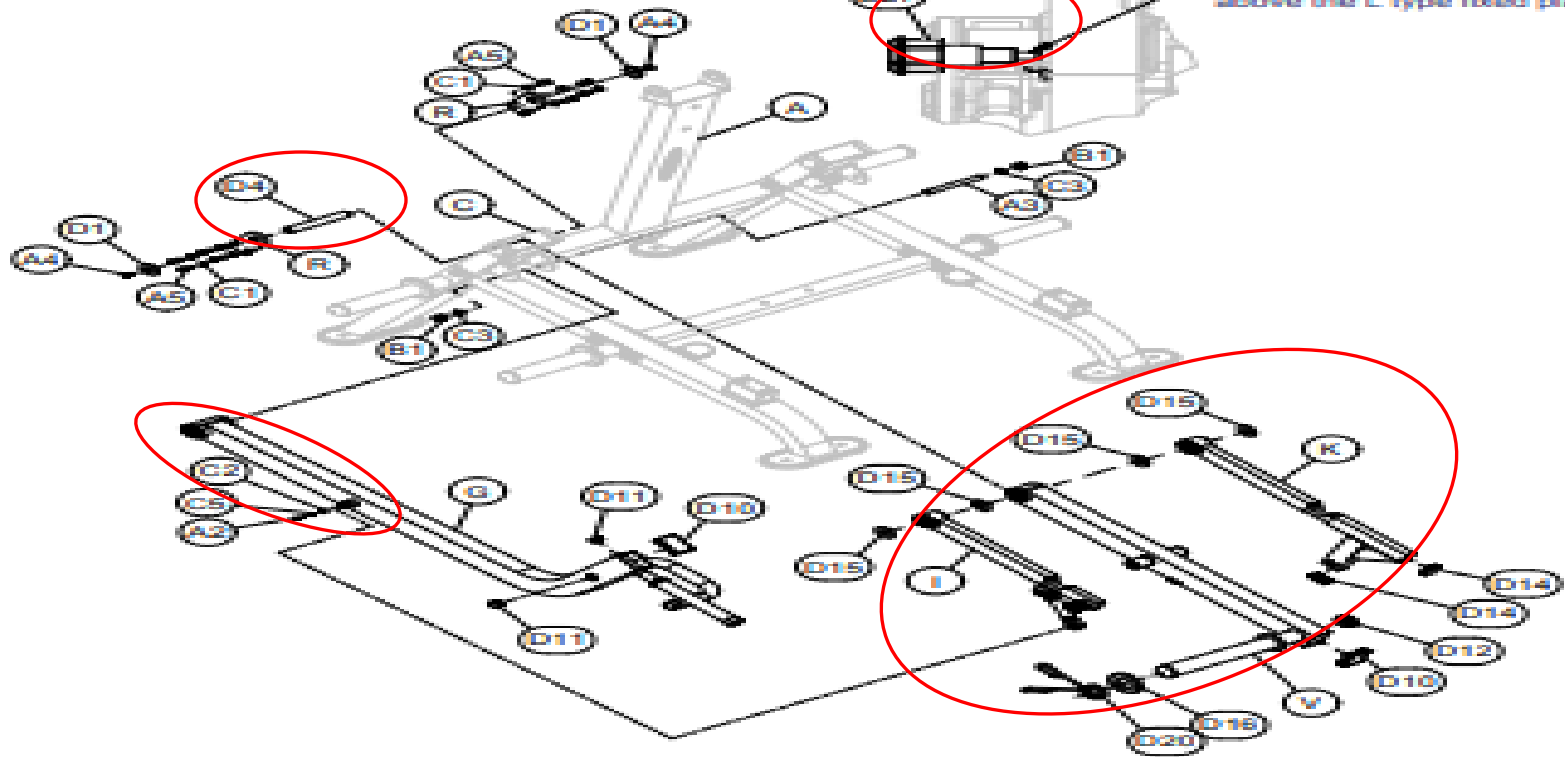
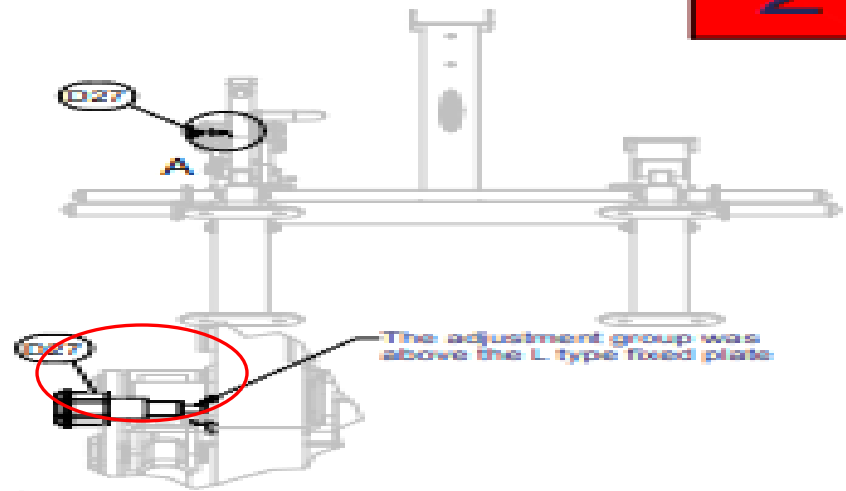
Above shows STEP 1 assembled and completed

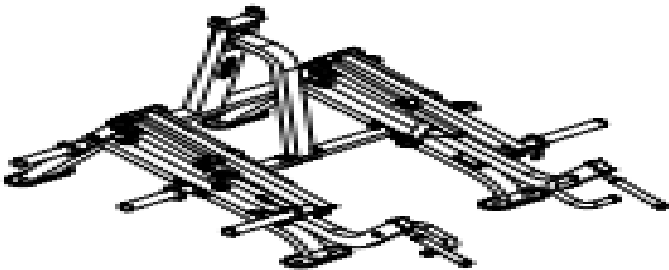


STEP
2

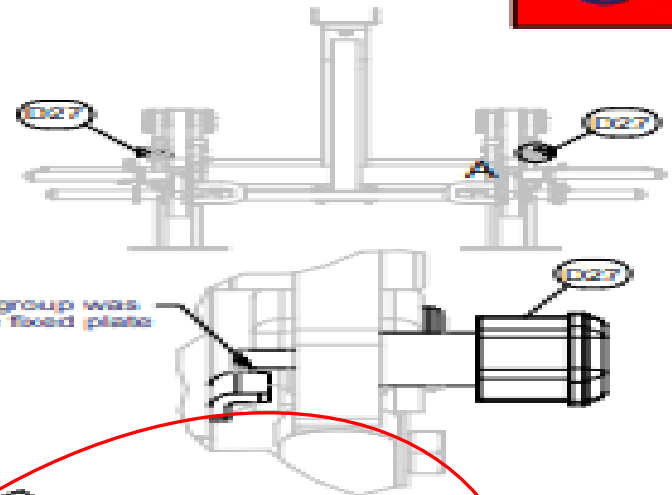


Above shows STEP 2 assembled and completed

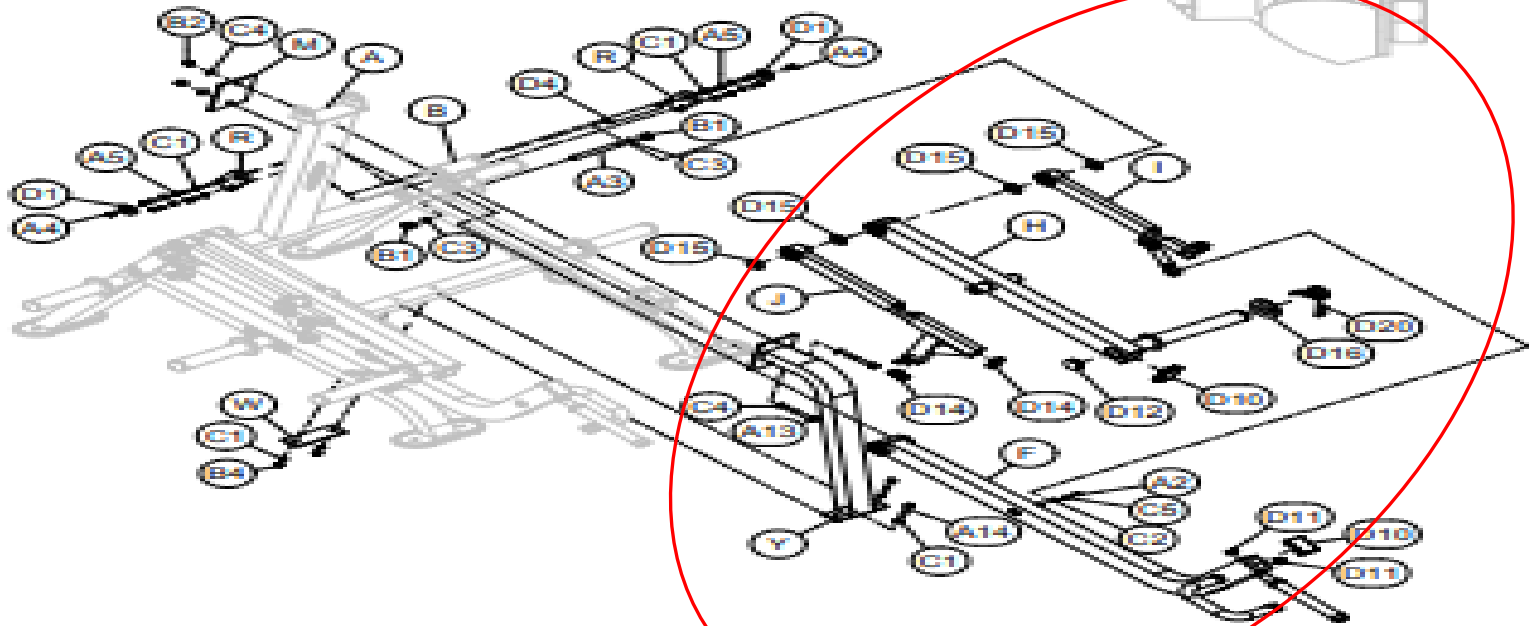


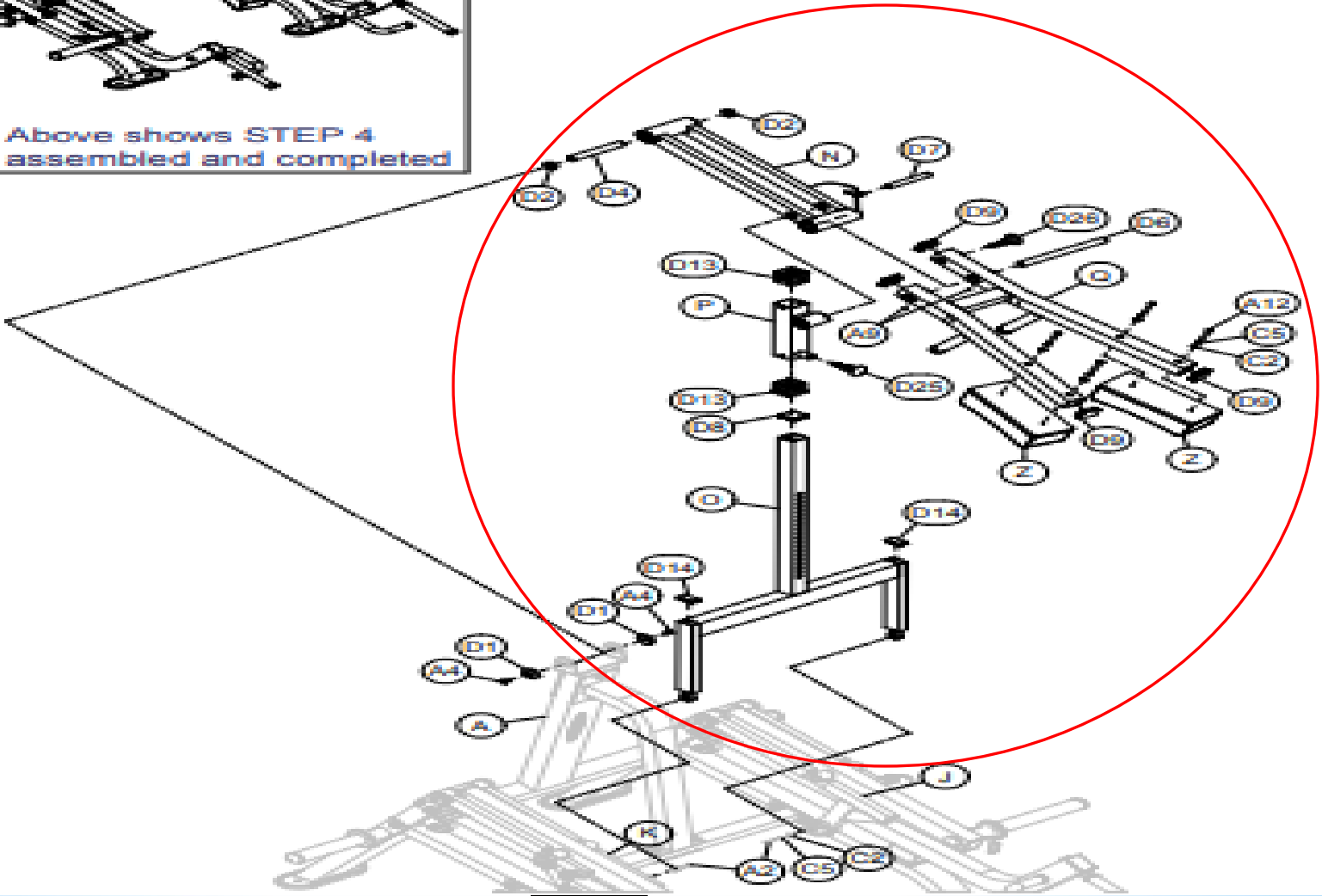
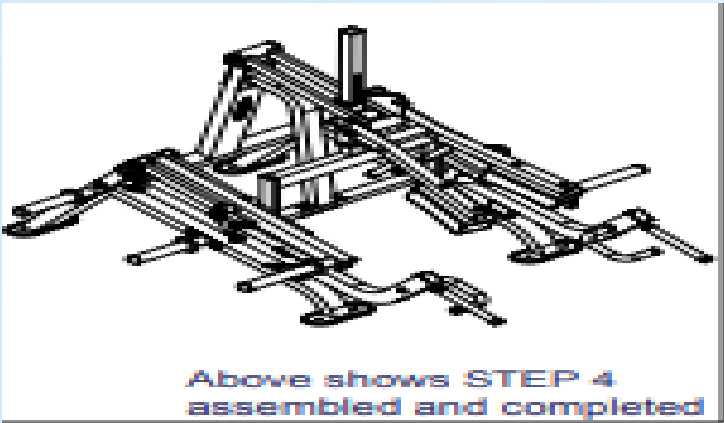


Above shows STEP 3 assembled and completed



The adjustment group was above the L type fixed plate

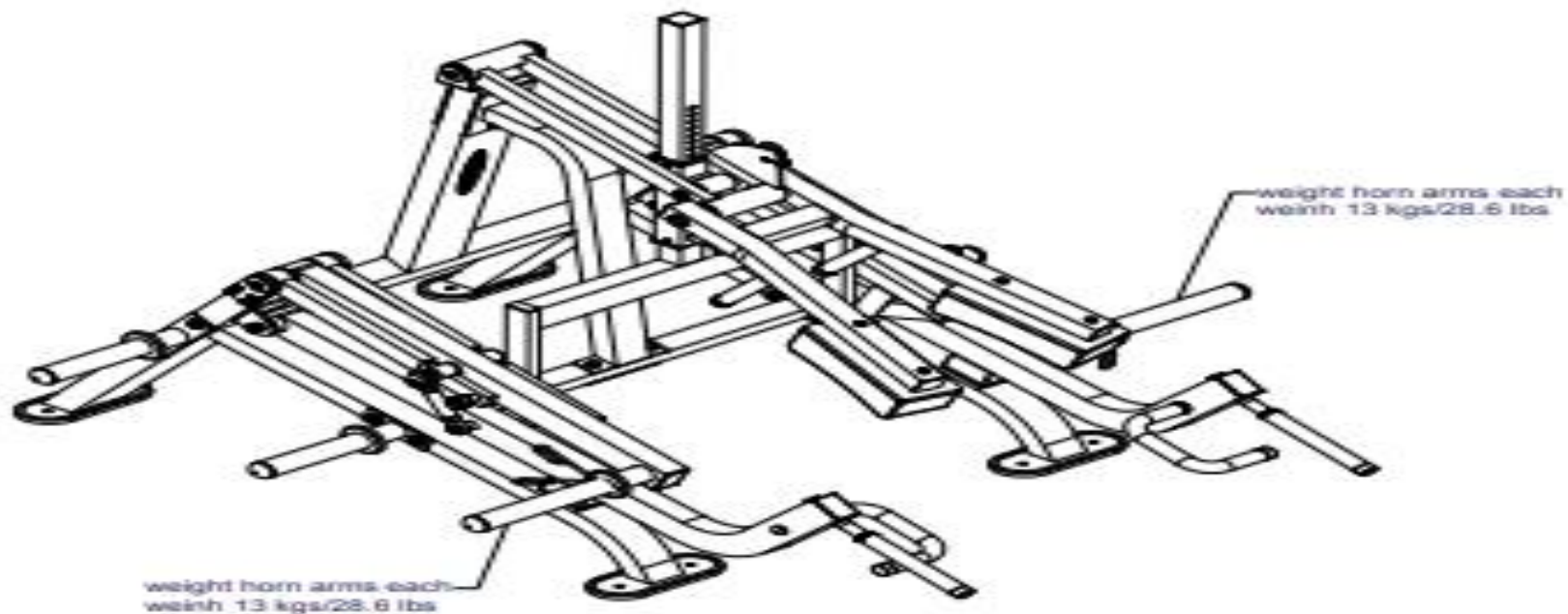




PL2300



PL2300 HARDWARE
(shown in actual size)



*Well done!

