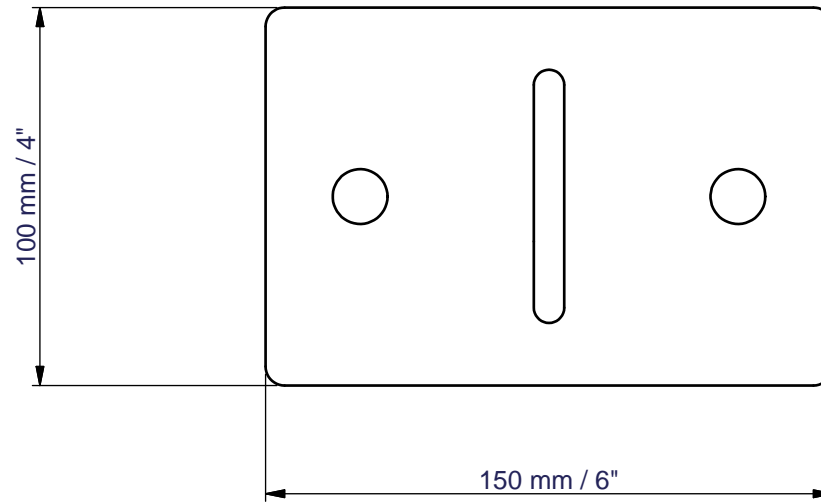


# STEELFLEX FCO2-2



Floor Space Dimensions: L150 x W100 x H67 mm  
Live Working Area : L150 x W100 mm