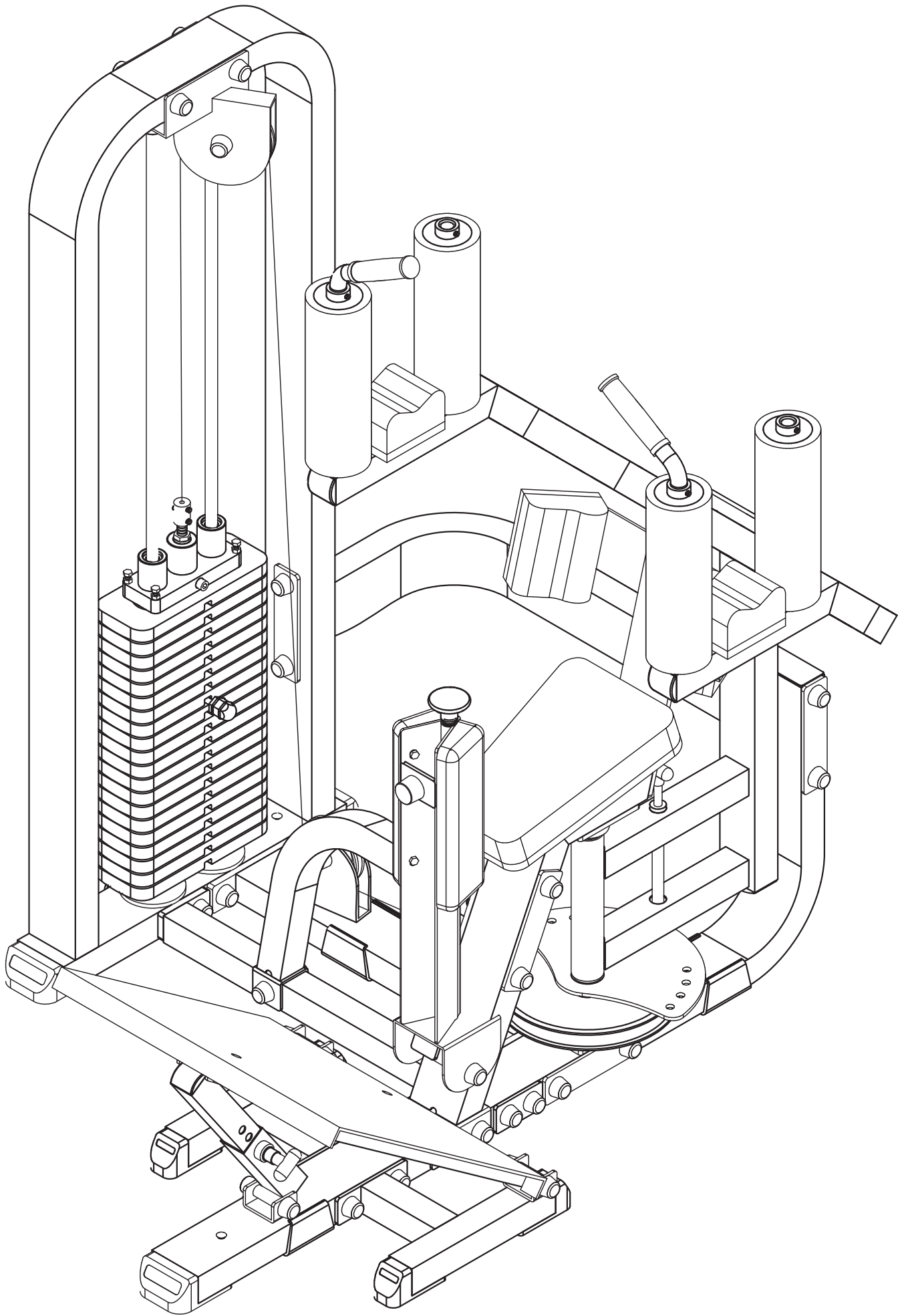


SOT-1800G.1

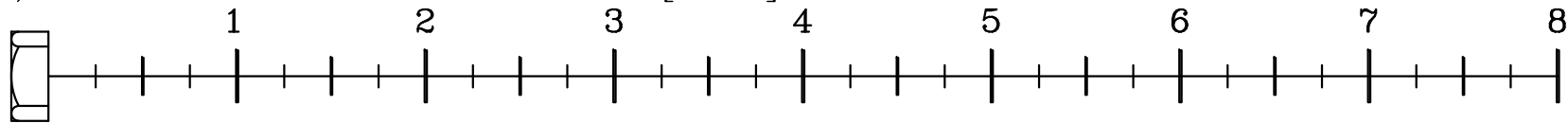
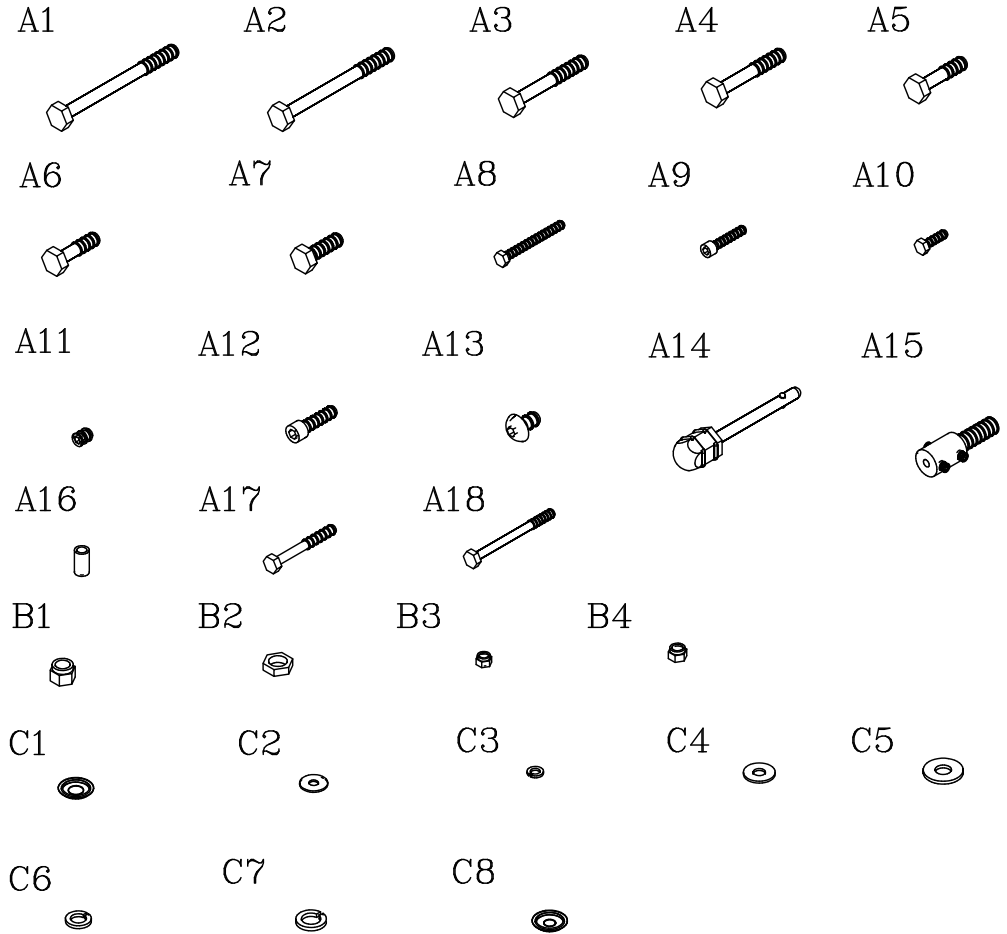


VERSION 0512

# SOT-1800G.1 HARDWARE ILLUSTRATION SHEET

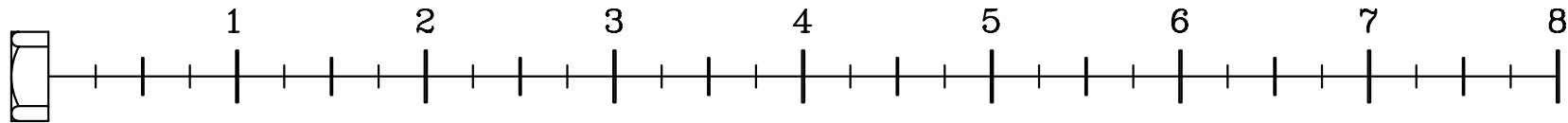
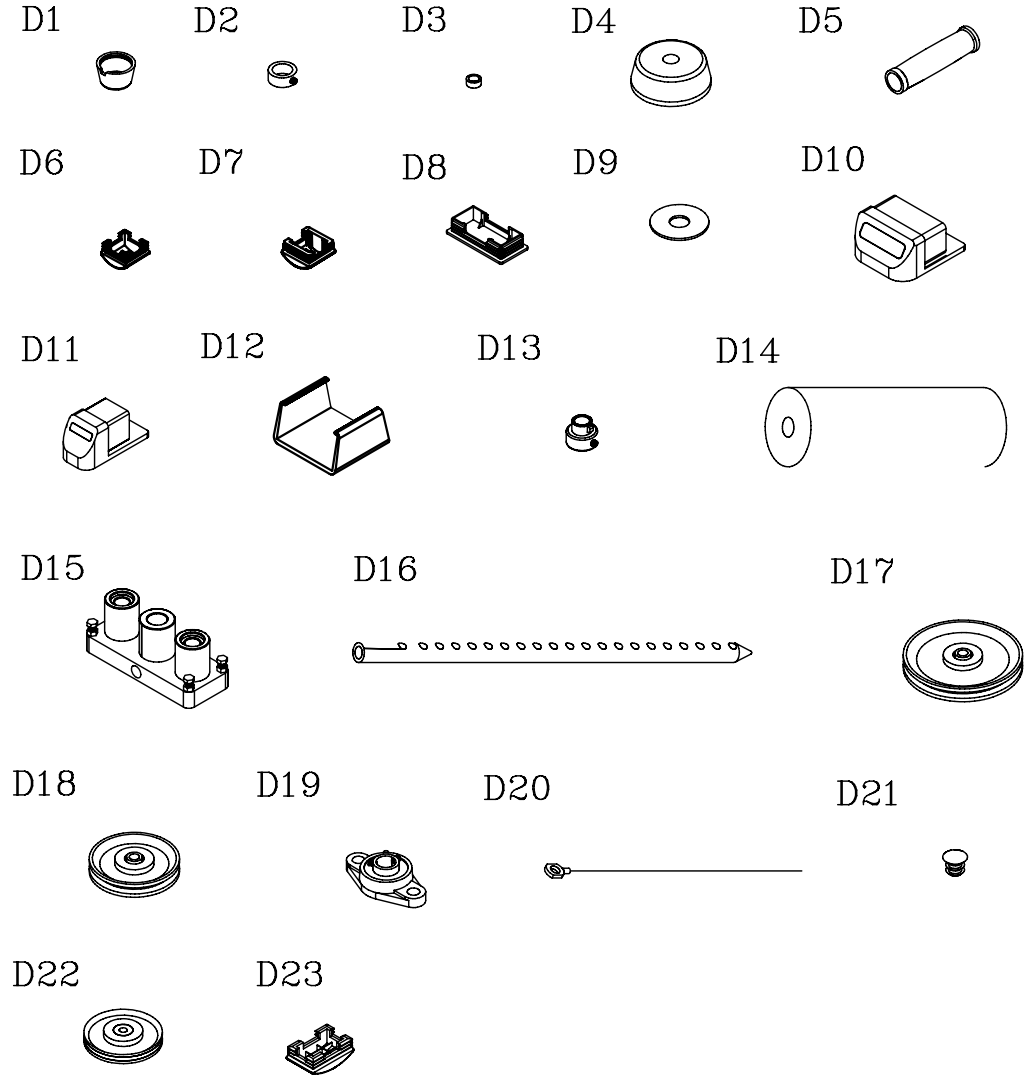
	Qty.
A1. 1/2"X5 1/4" HEX HEAD BOLT -----	[2PCS]
A2. 1/2"X5" HEX HEAD BOLT -----	[8PCS]
A3. 1/2"X3 1/4" HEX HEAD BOLT -----	[8PCS]
A4. 1/2"X3" HEX HEAD BOLT-----	[1PCS]
A5. 1/2"X2" HEX HEAD BOLT-----	[2PCS]
A6. 1/2"X1 3/4" HEX HEAD BOLT -----	[2PCS]
A7. 1/2"X1 1/2" HEX HEAD BOLT-----	[4PCS]
A8. 5/16"X2 3/4" HEX HEAD BOLT-----	[4PCS]
A9. 5/16"X1 1/2" ROUND BOLT-----	[1PCS]
A10. 5/16"X1" HEX HEAD BOLT-----	[12PCS]
A11. 5/16"X3/8" SET SCREW -----	[3PCS]
A12. 7/16"X1 1/2" ROUND BOLT -----	[1PCS]
A13. M10X16L HEX HEAD BOLT-----	[3PCS]
A14. 10LB BALL PIN -----	[1PCS]
A15. 5/8"X1 3/4" ROUND BOLT -----	[1PCS]
A16. 1/2"X23L SLEEVE(8110-062)-----	[1PCS]
A17. 3/8"X2 3/4" HEX HEAD BOLT-----	[1PCS]
A18. 1/2"X5 1/2" HEX HEAD BOLT -----	[8PCS]
B1. 1/2" NYLON LOCK NUT-----	[25PCS]
B2. 5/8" LOCK NUT -----	[1PCS]
B3. 5/16" NYLON LOCK NUT -----	[1PCS]
B4. 3/8" NYLON LOCK NUT -----	[1PCS]
C1. 1/2" ROUND END CAP WASHER -----	[56PCS]
C2. 5/16" (I.D)WASHER -----	[16PCS]
C3. 5/16" SPRING WASHER -----	[16PCS]
C4. M10 (I.D)WASHER -----	[3PCS]

C5. 1/2" (I.D)WASHER -----	[7PCS]
C6. 1/2" SPRING WASHER -----	[2PCS]
C7. 5/8" SPRING WASHER -----	[1PCS]
C8. 3/8" ROUND END CAP WASHER-----	[2PCS]



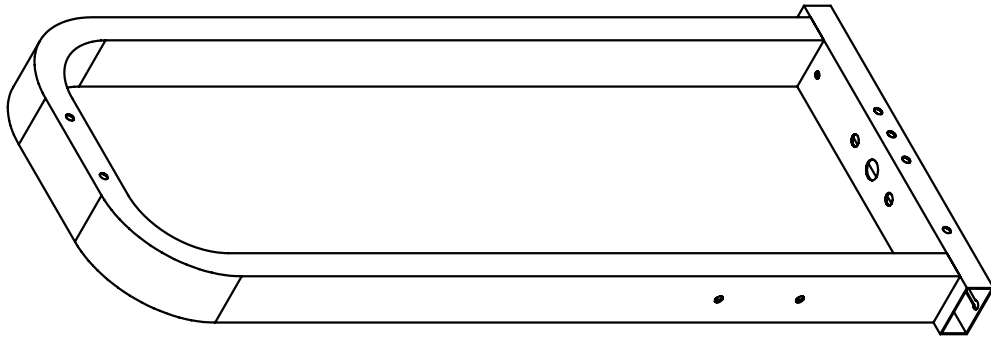
# SOT-1800G.1 HARDWARE ILLUSTRATION SHEET

	Qty.
D1. 1/2" BOLT CAP (9212-024) -----	[60PCS]
D2. ø1" SHAFT COLLAR (8130-024) -----	[4PCS]
D3. ø3/4"X8L STEEL BUSHING (8110-014) ---	[2PCS]
D4. ø4" RUBBER DONUT (9310-017) -----	[2PCS]
D5. ø1"X34X135 RUBBER (9212-016) -----	[2PCS]
D6. 45X45 END CAP (9211-091) -----	[1PCS]
D7. 50X50X2.5t END CAP (9211-087)-----	[2PCS]
D8. 2"X4" END CAP (9211-014) -----	[1PCS]
D9. ø3" NYLON WASHER (9214-008)-----	[8PCS]
D10. 2"X4" FOOT CAP (9211-028) -----	[3PCS]
D11. 2"X2" FOOT CAP (9211-025) -----	[4PCS]
D12. 2"X4" RUBBER DOUNT (9212-009) -----	[3PCS]
D13. ø3/4" SHAFT COLLAR (9211-046) -----	[2PCS]
D14. ø4" FOAM ROLLER (9161-019 ) -----	[4PCS]
D15. CHROME TOP PLATE (8400-002) -----	[1PCS]
D16. WEIGHT SELECTOR BAR (8220-060) -----	[1PCS]
D17. ø6" PULLEY (9213009A ) -----	[1PCS]
D18. ø4 1/2" PULLEY (9213010B ) -----	[1PCS]
D19. BEARING (8510-009) -----	[2PCS]
D20. 2770mm STEEL CABLE -----	[1PCS]
D21. ø5/8" ROUND END CAP (9211-015) -----	[4PCS]
D22. ø100 PULLEY (9213017A ) -----	[2PCS]
D23. 50X75 END CAP (9211-084)-----	[1PCS]

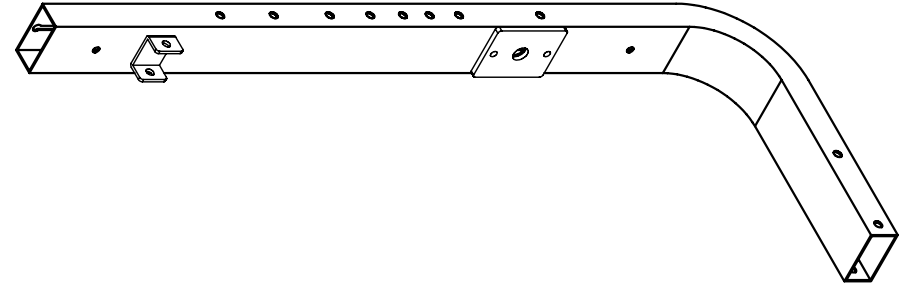


# SOT-1800G.1 PARTS ILLUSTRATION SHEET

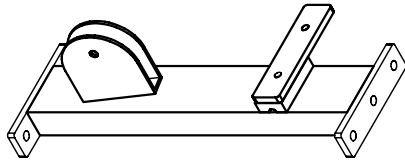
A [1PCS]



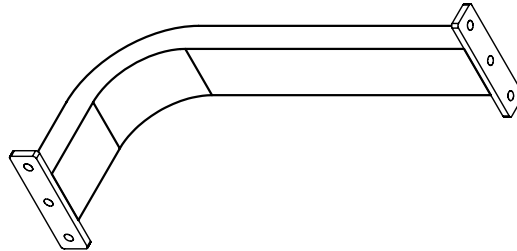
D [1PCS]



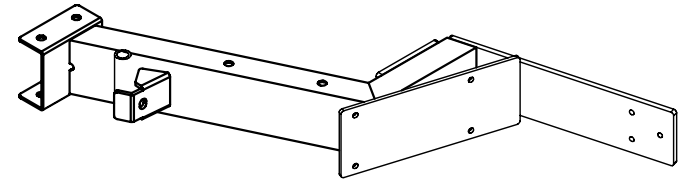
B [1PCS]



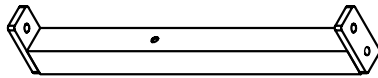
E [1PCS]



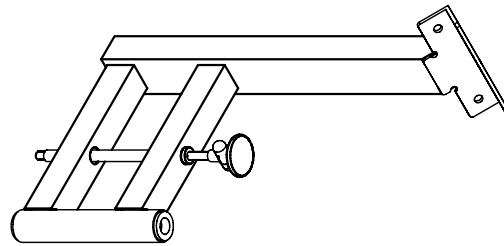
F [1PCS]



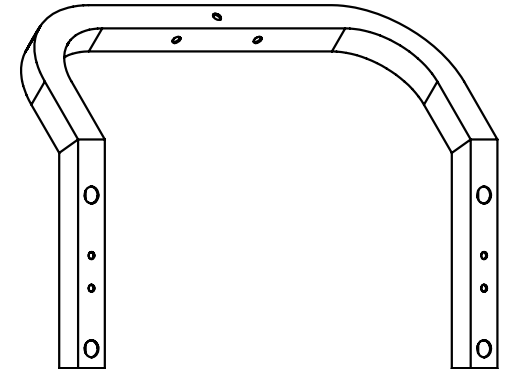
C [1PCS]



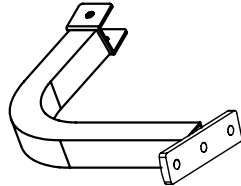
G [1PCS]



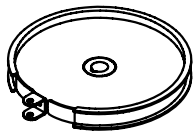
H [1PCS]



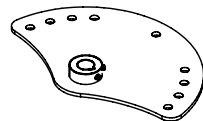
I [1PCS]



J1 [1PCS]

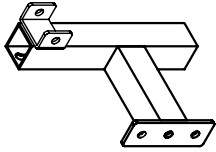


K [1PCS]

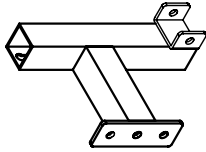


# SOT-1800G.1 PARTS ILLUSTRATION SHEET

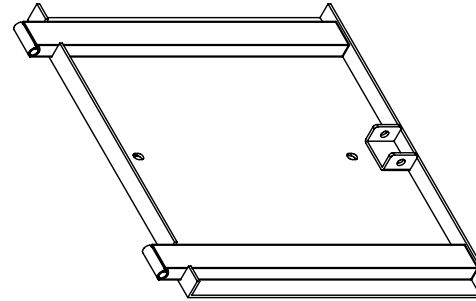
L [1PCS]



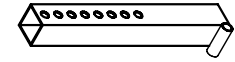
M [1PCS]



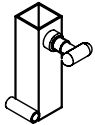
N [1PCS]



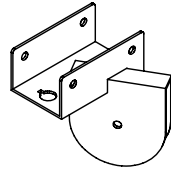
O [1PCS]



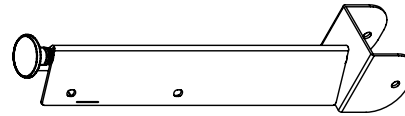
P [1PCS]



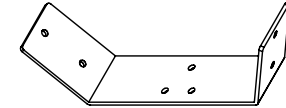
Q [1PCS]



R [1PCS]



S [1PCS]  
8323-066



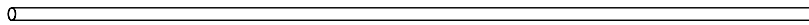
T [6PCS]  
8312-077



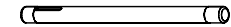
U [2PCS]  
8312-053



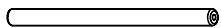
V [2PCS] 8280-001  
ø3/4"X1510L



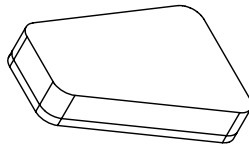
W [1PCS]  
8220-066



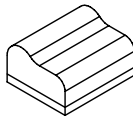
X [2PCS]  
8220-065



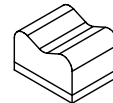
Y [1PCS]  
9121-007



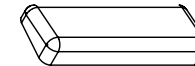
Z [2PCS]  
9111-025



AA [2PCS]  
9131-001



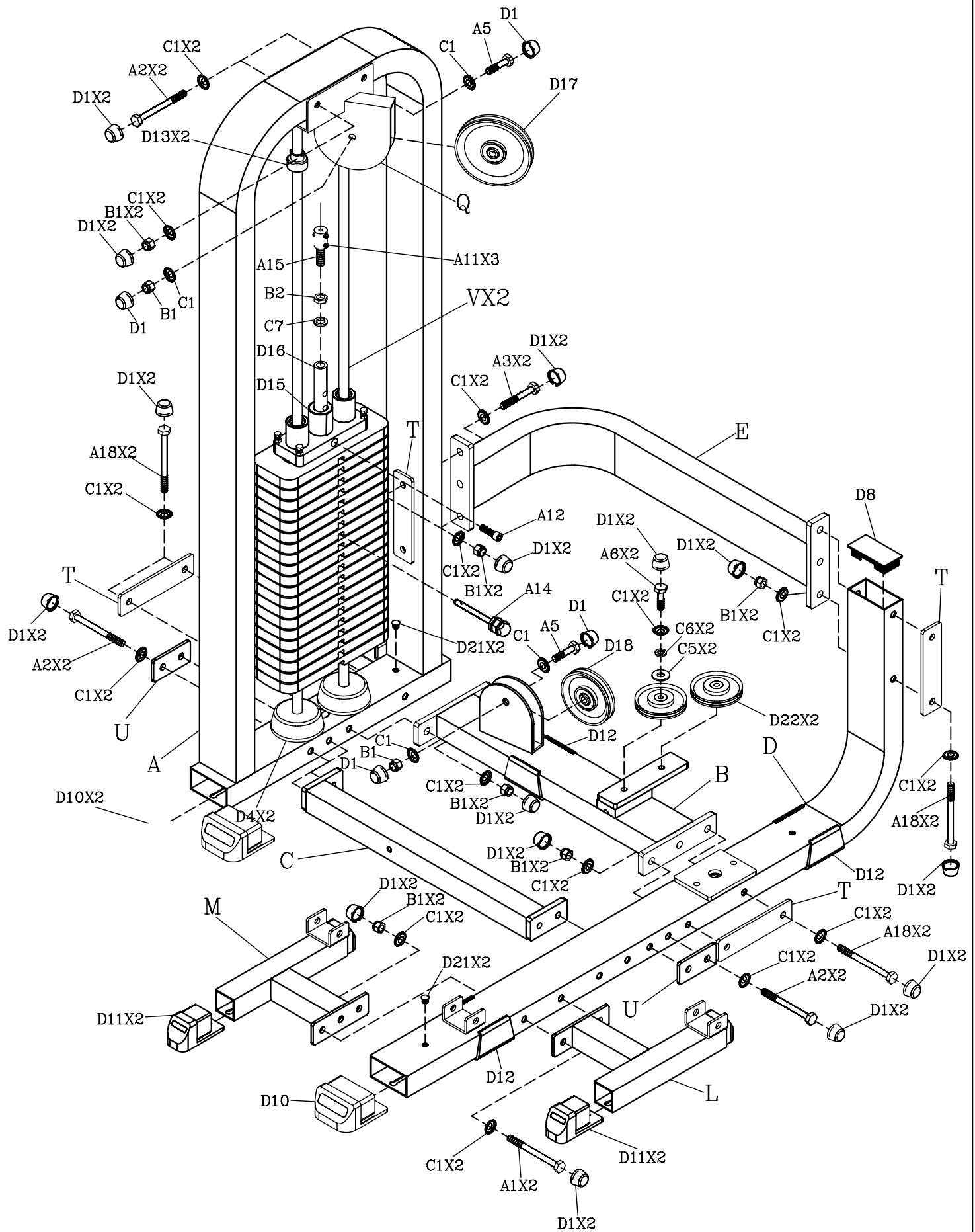
AB [2PCS]  
9131-002  
9131-003



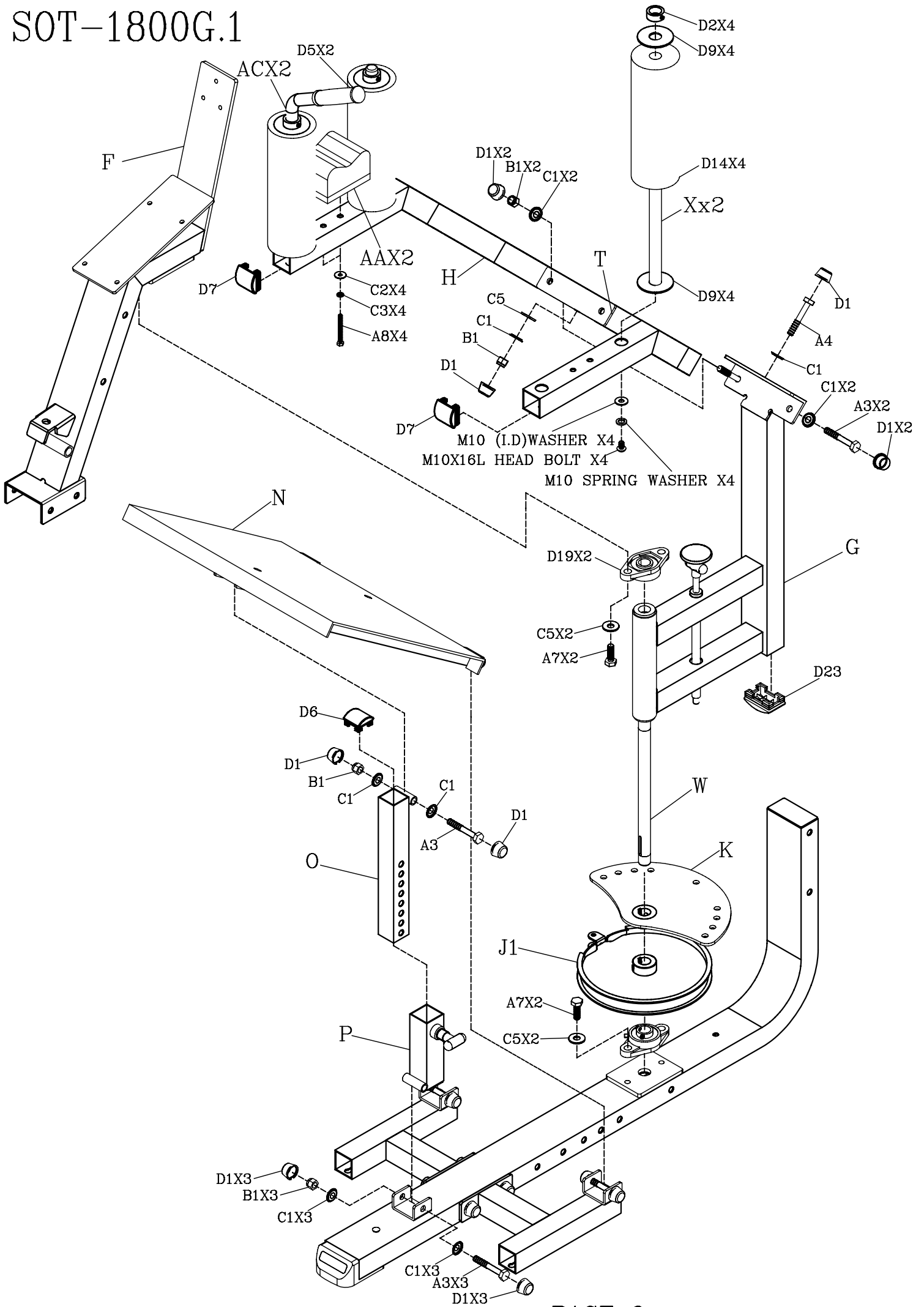
AC [2PCS]  
8220-067



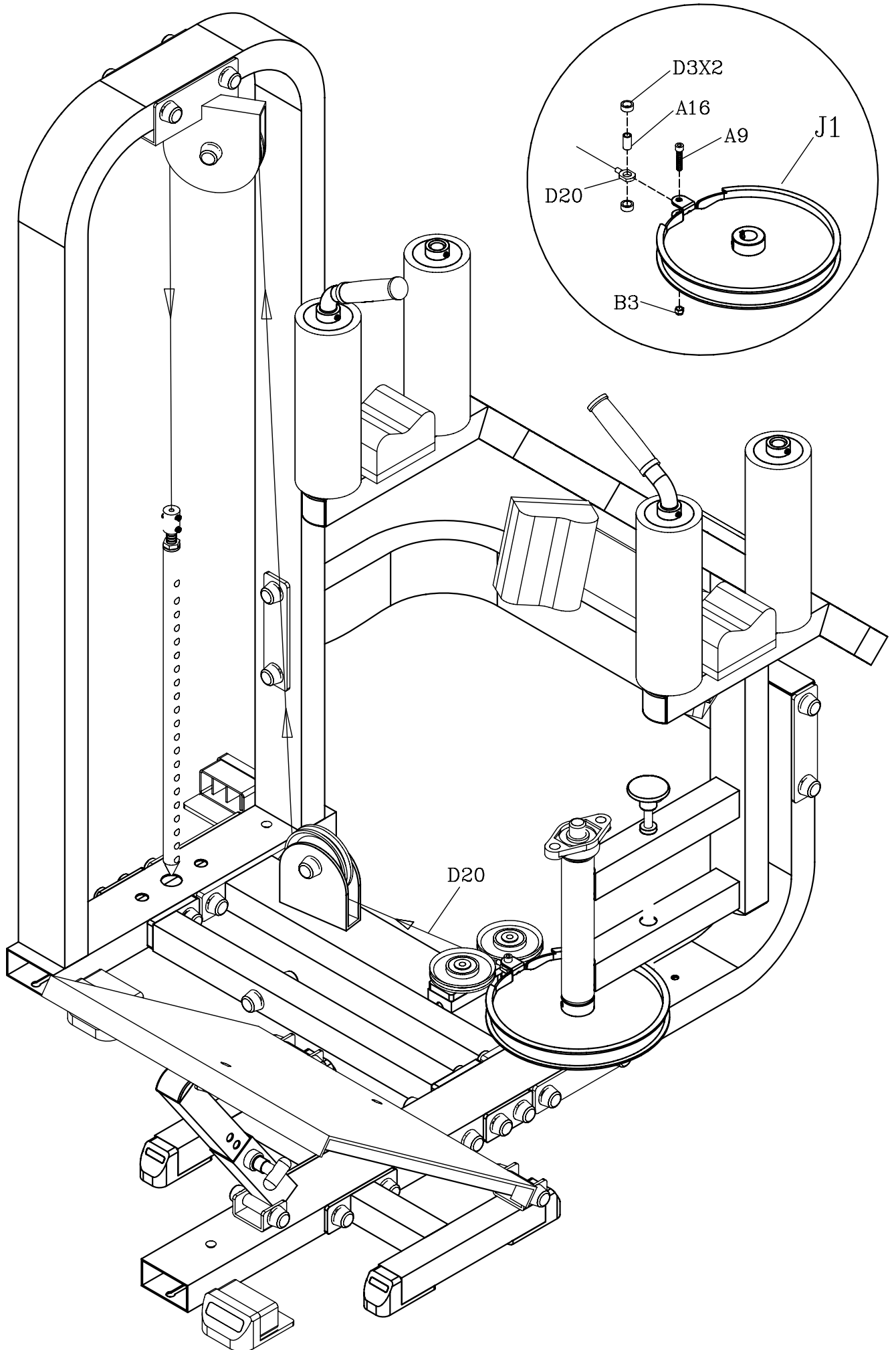
# SOT-1800G.1



# SOT-1800G.1







# SOT-1800G.1

